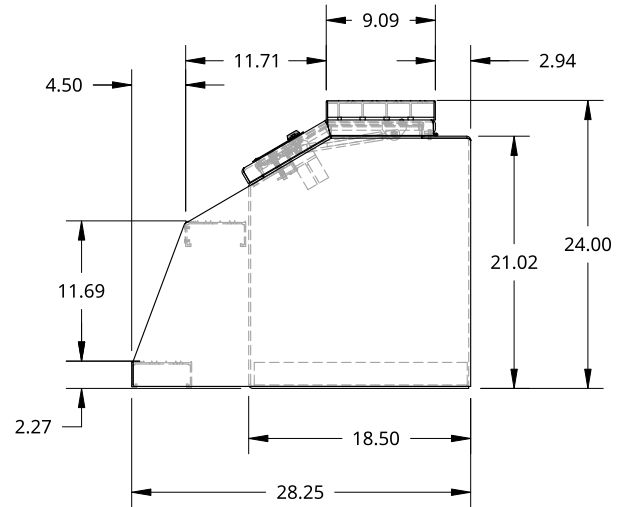
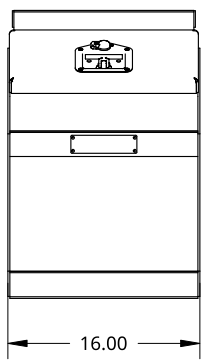
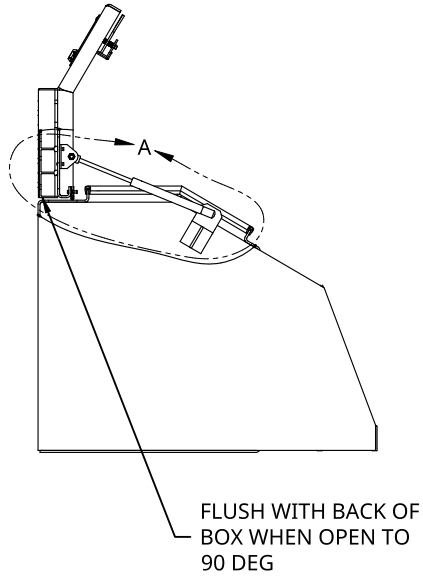
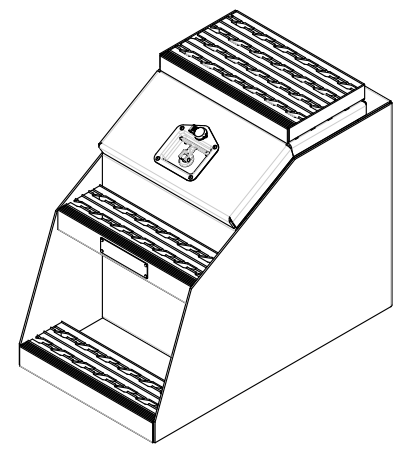
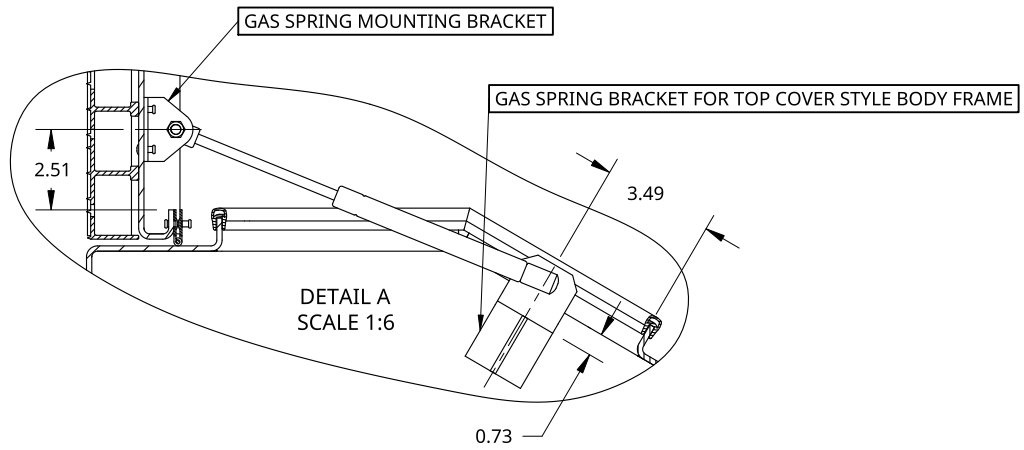


2

1



RELEASED

REVISIONS			
REVISION	REVISION DESCRIPTION	DATE APPROVED	APPROVER
A	RELEASED TO MFG	07/16/2021	SHAWN CROCKER
B	PART NUMBERED ALL PARTS AND CHANGE INNER REINFORCEMENT MATERIAL	11/17/2022	SHAWN CROCKER

THIS DOCUMENT IS THE PROPERTY OF TREBOR MANUFACTURING. ANY UNAUTHORIZED REPRODUCTION WILL BE PROSECUTED TO THE FULL EXTENT OF THE LAW

UNLESS OTHERWISE SPECIFIED, DIMENSIONS ARE IN INCHES

.XX = ±.1-  
.XXX = ±.015-  
.XXXX = ±.005-

ANGULAR = ±1°  
FRACTIONAL = ±1/8

THIRD ANGLE PROJECTION

DRAWN BY SHAWN CROCKER 11/17/2022

CHANGED BY SHAWN CROCKER 11/17/2022

MATERIAL

1/8 ALU CHECKER

PART NO.		TRSTBBM16		REV.	B
BIG MOUTH STEP BOX - 28.25 X 24 X 16 - X1 T-HANDLE - 9IN TOP STEP					
SIZE	A	DWG NO.	D8025	REV.	B
SCALE	1:16	WEIGHT	42.43 LB	SHEET	1 of 1

2

1

B

B

A

A