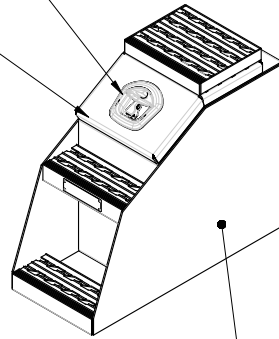


2

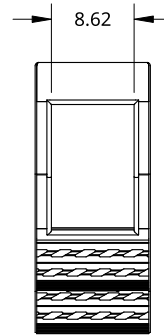
1

LOCKING WHALE TAIL HANDLE

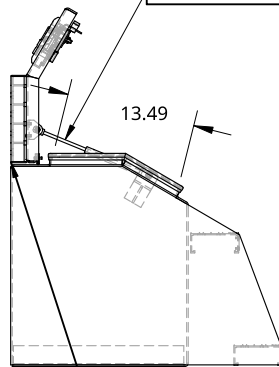
1/8 ALU CHECKER DOOR



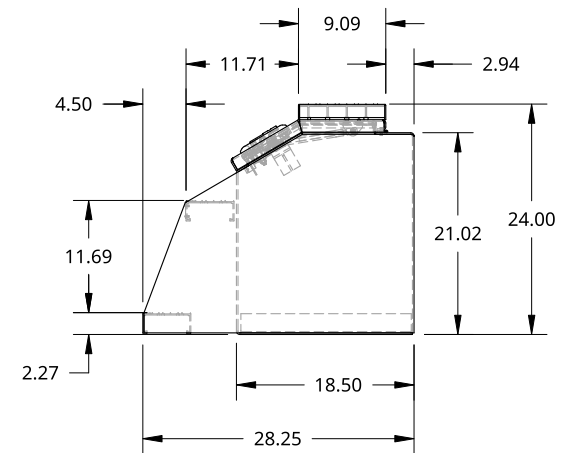
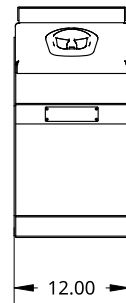
1/8 ALU CHECKER BODY



GAS SPRING DOOR HOLDER



FLUSH WITH BACK OF BOX  
WHEN OPEN TO 90 DEG



B

B

A

A

2

1

THIS DOCUMENT IS THE PROPERTY OF TREBOR MANUFACTURING. ANY UNAUTHORIZED REPRODUCTION WILL BE PROSECUTED TO THE FULL EXTENT OF THE LAW



PART NO. TRSTBBM12WT

REV. B

UNLESS OTHERWISE SPECIFIED, DIMENSIONS ARE IN INCHES

.XX = ±.1-  
.XXX = ±.015-  
.XXXX = ±.005-  
ANGULAR = ±1°  
FRACTIONAL = ±1/8

DRAWN BY	SHAWN CROCKER	07/15/2021
CHANGED BY	SHAWN CROCKER	07/05/2023

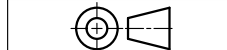
BIG MOUTH STEP BOX - 28.25 X 24 X 12 - X1 WHALE TAIL - 9IN TOP STEP

THIRD ANGLE PROJECTION

MATERIAL

SIZE A DWG NO. D32685

REV. A



1/8 ALU CHECKER

SCALE	1:20	WEIGHT	34.49 LB	SHEET	1 of 1
-------	------	--------	----------	-------	--------