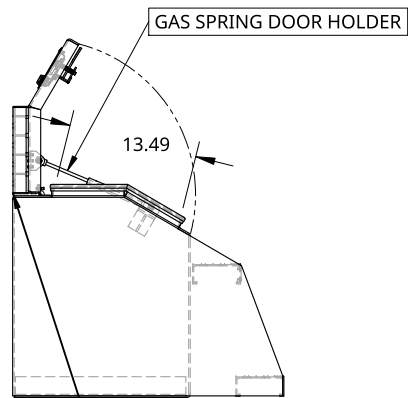
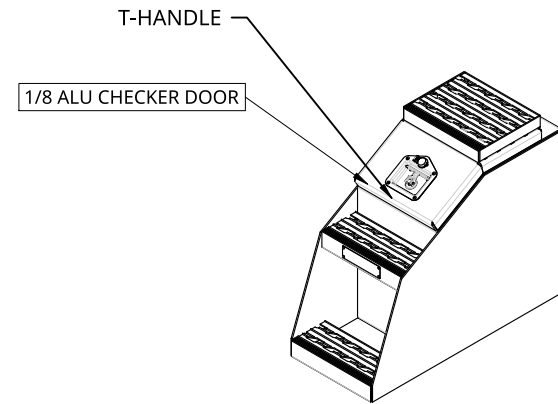
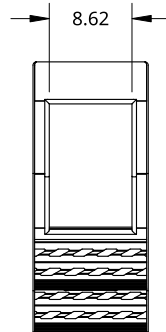


2

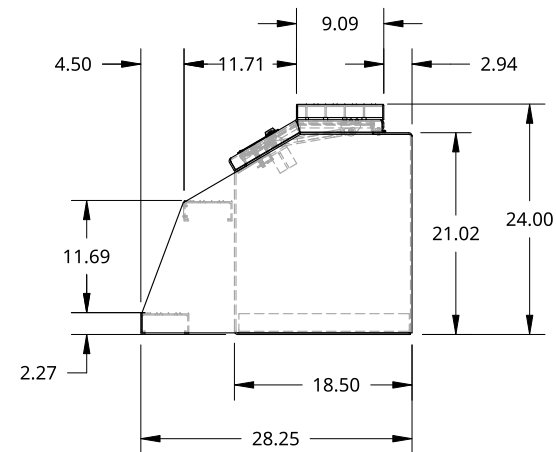
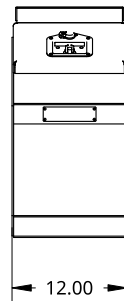
1

B

B



FLUSH WITH BACK OF  
BOX WHEN OPEN TO  
90 DEG



A

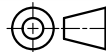
A

THIS DOCUMENT IS THE PROPERTY OF TREBOR  
MANUFACTURING. ANY UNAUTHORIZED REPRODUCTION  
WILL BE PROSECUTED TO THE FULL EXTENT OF THE LAW

UNLESS OTHERWISE SPECIFIED,  
DIMENSIONS ARE IN INCHES

.XX = ±.1-  
.XXX = ±.015- ANGULAR = ±1°  
.XXXX = ±.005- FRACTIONAL = ±1/8

THIRD ANGLE PROJECTION



DRAWN SHAWN CROCKER 07/15/2021

MATERIAL  
1/8 ALU CHECKER

PART NO. TRSTBBM12 REV. B

BIG MOUTH STEP BOX - 28.25 X 24 X 12 - X1 T-HANDLE - 9IN TOP STEP

SIZE A DWG NO. D7939 REV. A

SCALE 1:20 WEIGHT 36.11 LB SHEET 1 of 1

2

1