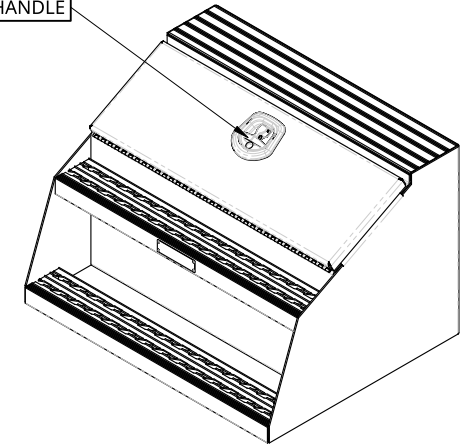
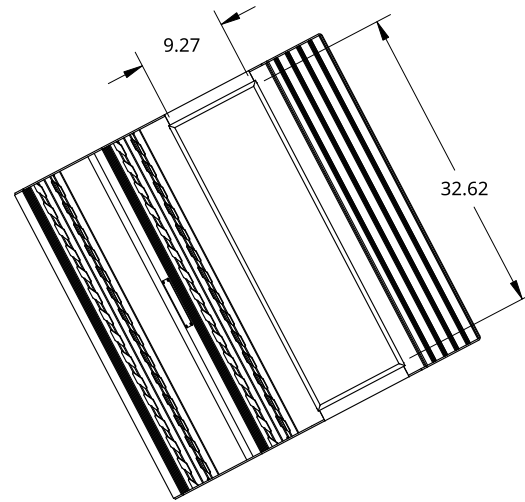


2

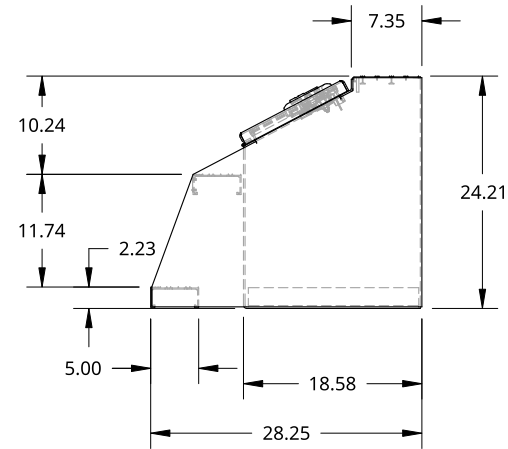
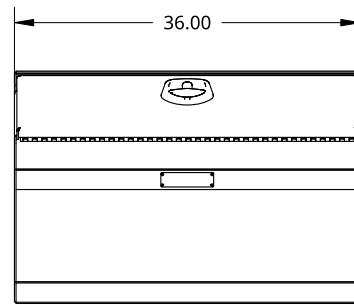
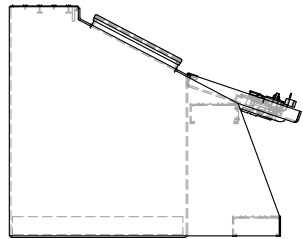
1

LOCKING WHALE TAIL HANDLE



B

B



A

A

THIS DOCUMENT IS THE PROPERTY OF TREBOR MANUFACTURING. ANY UNAUTHORIZED REPRODUCTION WILL BE PROSECUTED TO THE FULL EXTENT OF THE LAW



PART NO. **TRSTB36WT** REV. **A1**

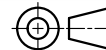
UNLESS OTHERWISE SPECIFIED, DIMENSIONS ARE IN INCHES

.XX = ±.1- ANGULAR = ±1°
 .XXX = ±.015- FRACTIONAL = ±1/8
 .XXXX = ±.005-

DRAWN BY	SHAWN CROCKER	08/09/2021
CHANGED BY	SHAWN CROCKER	06/27/2023

STANDARD STEP TOOL BOX - 28.25IN DEEP X 24IN HIGH X 36IN WIDE - X1 WHALE TAIL

THIRD ANGLE PROJECTION



MATERIAL

1/8 ALU CHECKER

SIZE **A** DWG NO. **D32220** REV. **A**

SCALE	1:20	WEIGHT	66.96 LB	SHEET	1 of 1
-------	------	--------	----------	-------	--------

2

1