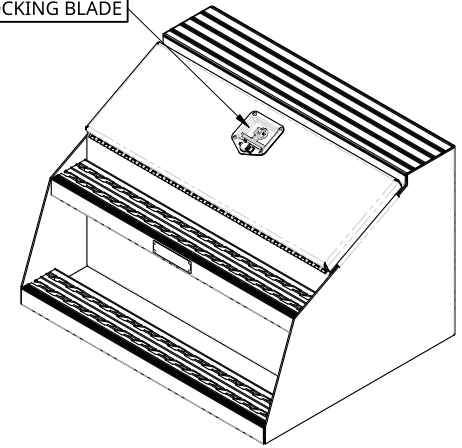
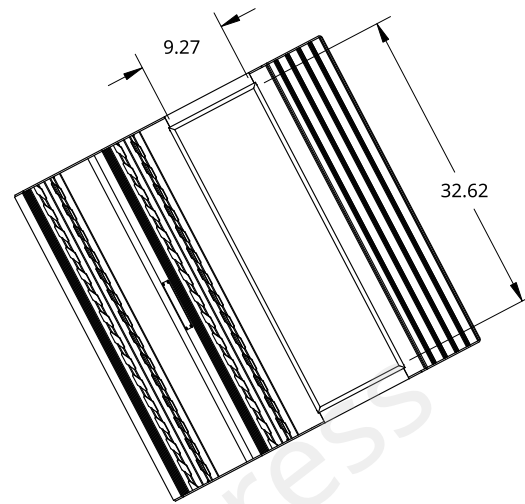


2

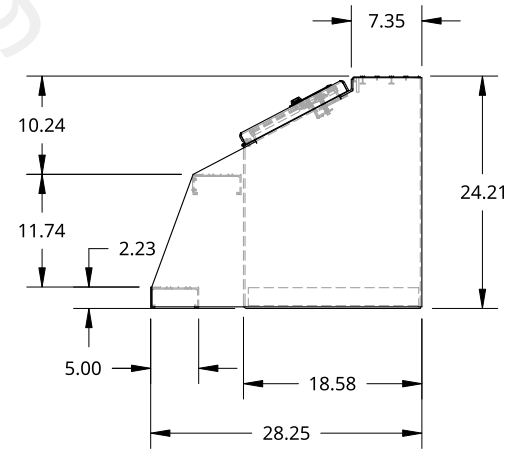
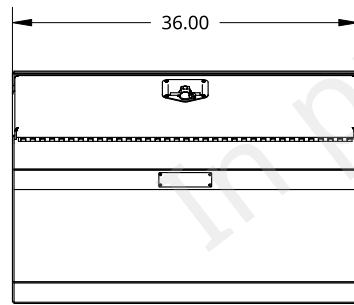
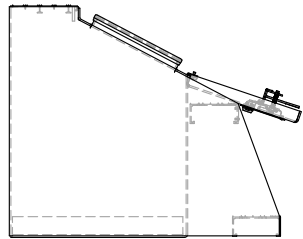
1

T-HANDLE LOCK WITH FLAT LOCKING BLADE



B

B



A

A

<small>THIS DOCUMENT IS THE PROPERTY OF TREBOR MANUFACTURING. ANY UNAUTHORIZED REPRODUCTION WILL BE PROSECUTED TO THE FULL EXTENT OF THE LAW</small>				PART NO. TRSTB36		REV.
<small>UNLESS OTHERWISE SPECIFIED, DIMENSIONS ARE IN INCHES .XX = ±.1- .XXX = ±.015- .XXXX = ±.005- ANGULAR = ±1° FRACTIONAL = ±1/8</small>		<small>DRAWN BY</small> SHAWN CROCKER	<small>08/09/2021</small>	STANDARD STEP TOOL BOX - 28.25IN DEEP X 24IN HIGH X 36IN WIDE - X1 T-HANDLE		
<small>THIRD ANGLE PROJECTION</small>		<small>CHANGED BY</small> SHAWN CROCKER	<small>06/26/2023</small>	<small>SIZE</small> A	<small>DWG NO.</small> D9761	REV.
		<small>MATERIAL</small> 1/8 ALU CHECKER		<small>SCALE</small> 1:20	<small>WEIGHT</small> 67.04 LB	<small>SHEET</small> 1 of 1

2

1