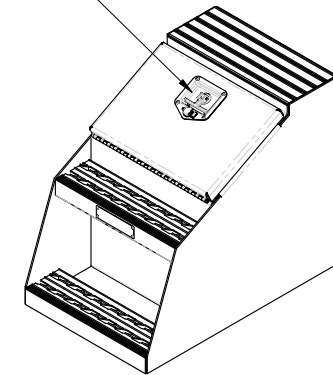
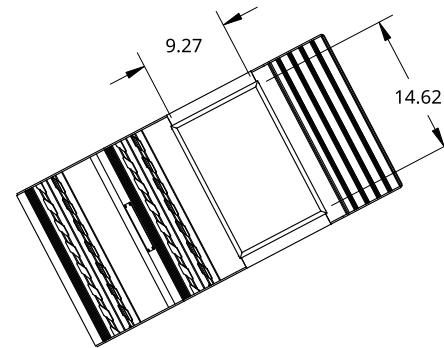


2

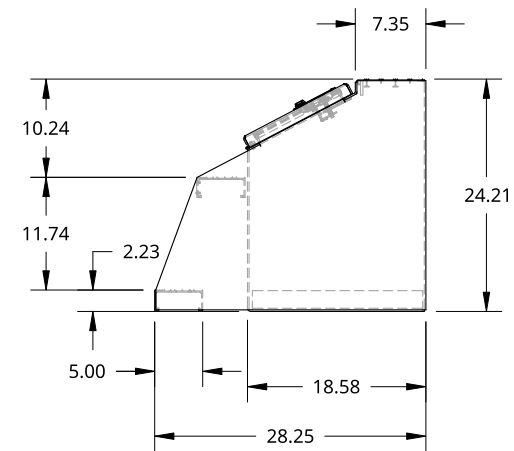
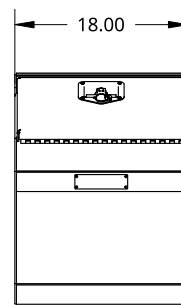
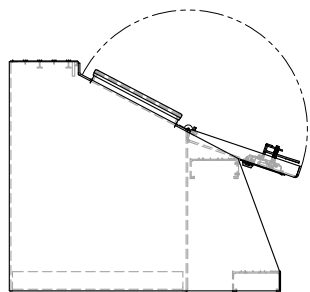
1

T-HANDLE LOCK WITH FLAT LOCKING BLADE





B

B



A

A

<small>THIS DOCUMENT IS THE PROPERTY OF TREBOR MANUFACTURING. ANY UNAUTHORIZED REPRODUCTION WILL BE PROSECUTED TO THE FULL EXTENT OF THE LAW</small>				PART NO. TRSTB18	REV. B1
<small>UNLESS OTHERWISE SPECIFIED, DIMENSIONS ARE IN INCHES .XX = ±.1- .XXX = ±.015- .XXXX = ±.005- ANGULAR = ±1° FRACTIONAL = ±1/8</small>		<small>DRAWN SHAWN CROCKER 08/09/2021</small>		STANDARD STEP TOOL BOX - 28.25IN DEEP X 24IN HIGH X 18IN WIDE - X1 T-HANDLE	
<small>THIRD ANGLE PROJECTION</small> 		MATERIAL 1/8 ALU CHECKER		SIZE A	DWG NO. D9759
				SCALE 1:20	WEIGHT 42.77 LB
				SHEET 1 of 1	

2

1