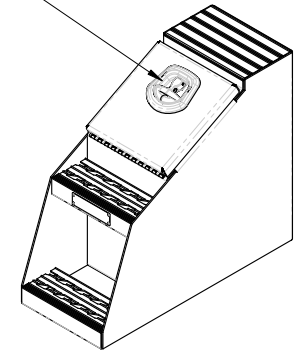
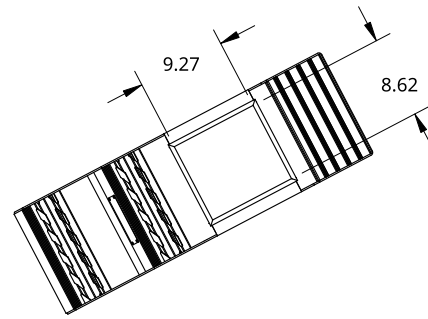


2

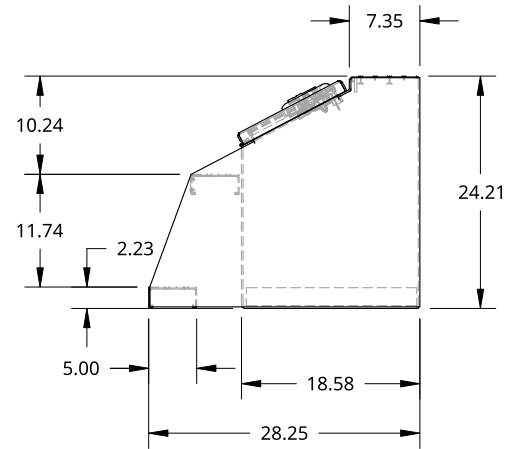
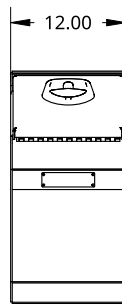
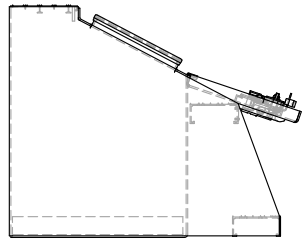
1

LOCKING WHALE TAIL HANDLE





B

B



A

A

THIS DOCUMENT IS THE PROPERTY OF TREBOR MANUFACTURING. ANY UNAUTHORIZED REPRODUCTION WILL BE PROSECUTED TO THE FULL EXTENT OF THE LAW				PART NO.	TRSTB12WT	REV.	A1
UNLESS OTHERWISE SPECIFIED, DIMENSIONS ARE IN INCHES .XX = ±.1- .XXX = ±.015- .XXXX = ±.005-				DRAWN BY		SHAWN CROCKER	
THIRD ANGLE PROJECTION		MATERIAL		DRAWN BY		SHAWN CROCKER	
		1/8 ALU CHECKER		CHANGED BY		SHAWN CROCKER	
				SIZE	A	DWG NO.	D32208
				SCALE	1:20	WEIGHT	32.45 LB
						SHEET	1 of 1
						REV.	A

2

1