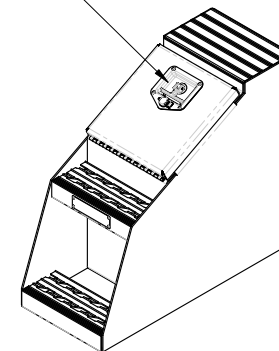
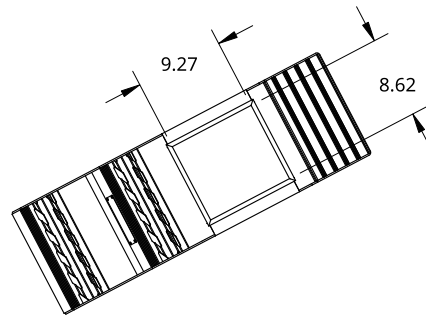


2

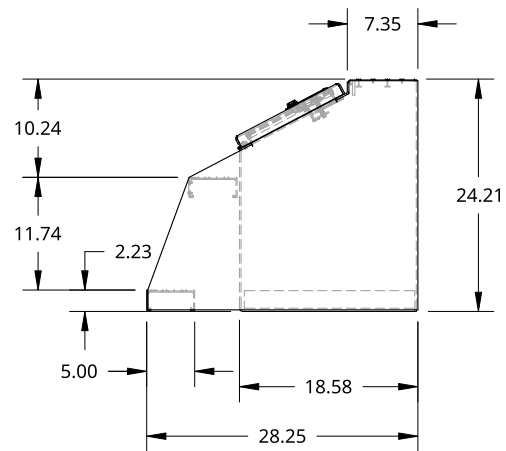
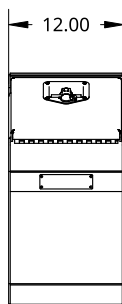
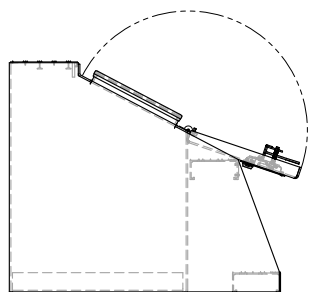
1

T-HANDLE LOCK WITH FLAT LOCKING BLADE



B

B



A

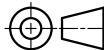
A

THIS DOCUMENT IS THE PROPERTY OF TREBOR MANUFACTURING. ANY UNAUTHORIZED REPRODUCTION WILL BE PROSECUTED TO THE FULL EXTENT OF THE LAW

UNLESS OTHERWISE SPECIFIED, DIMENSIONS ARE IN INCHES

.XX = ±.1-  
 .XXX = ±.015- ANGULAR = ±1°  
 .XXXX = ±.005- FRACTIONAL = ±1/8

THIRD ANGLE PROJECTION



DRAWN SHAWN CROCKER 08/09/2021

MATERIAL

1/8 ALU CHECKER

PART NO. TRSTB12 REV. E1

STANDARD STEP TOOL BOX - 28.25IN DEEP X 24IN HIGH X 12IN WIDE - X1 T-HANDLE

SIZE A DWG NO. D9757 REV. A

SCALE 1:20 WEIGHT 34.14 LB SHEET 1 of 1

2

1