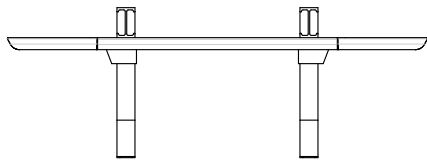


2

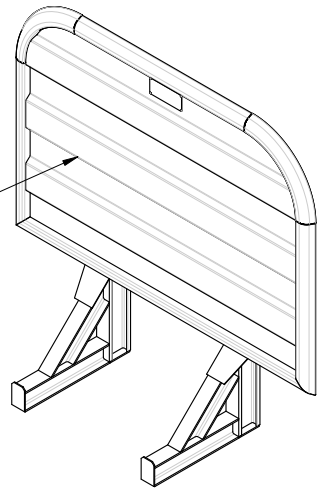
1

B

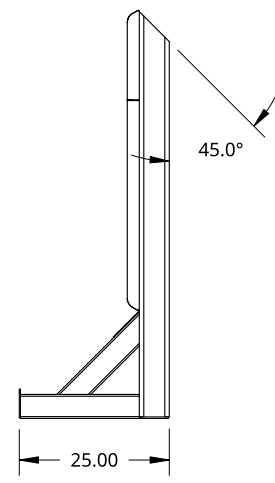
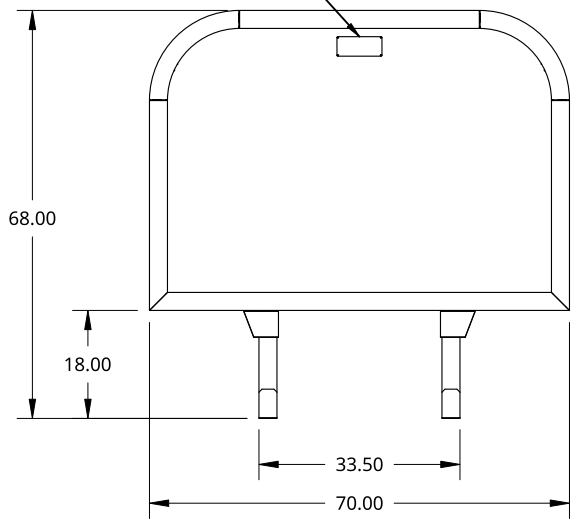
B



1/8 ALU CHECKER PANEL



TREBOR NAME PLATE APPROX. LOCATION





A

A

2

1

<small>THIS DOCUMENT IS THE PROPERTY OF TREBOR MANUFACTURING. ANY UNAUTHORIZED REPRODUCTION WILL BE PROSECUTED TO THE FULL EXTENT OF THE LAW</small>				PART NO. <b>TRRC6870</b>	REV. <b>C</b>
<small>UNLESS OTHERWISE SPECIFIED, DIMENSIONS ARE IN INCHES          .XX = ±.1-          .XXX = ±.015-          .XXXX = ±.005-          ANGULAR = ±1°          FRACTIONAL = ±1/8</small>		DRAWN <b>SHAWN CROCKER</b>	08/24/2021	STANDARD CAB SHIELD - 68 X 70 - 1/8 ALU CHECKER PANEL - ROUND CORNERS	
THIRD ANGLE PROJECTION 		MATERIAL <b>ALUMINUM</b>		SIZE <b>A</b>	DWG NO. <b>D4622</b>
		SCALE <b>1:32</b>	WEIGHT <b>135.4 LB</b>	SHEET <b>1 of 1</b>	REV. <b>B</b>