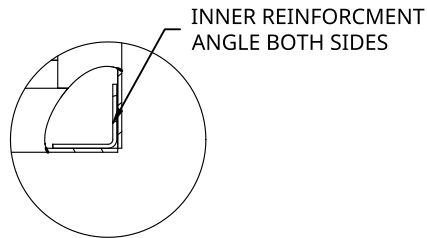
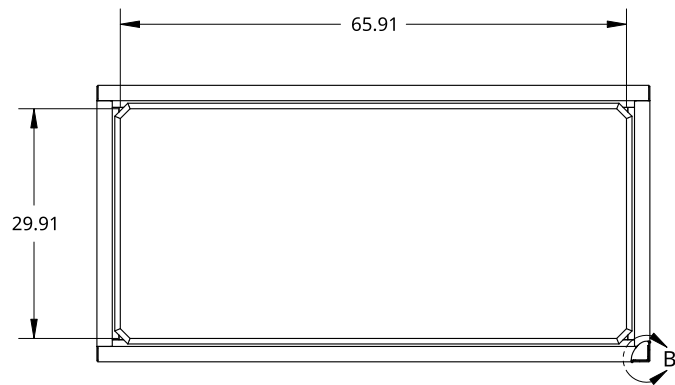


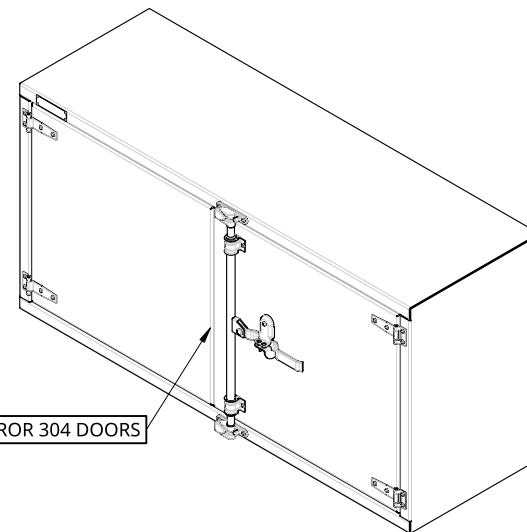
2

1

B

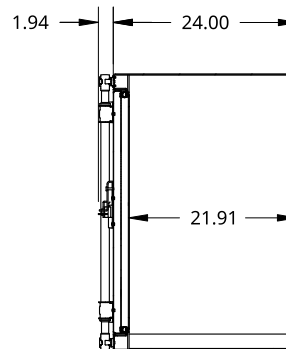
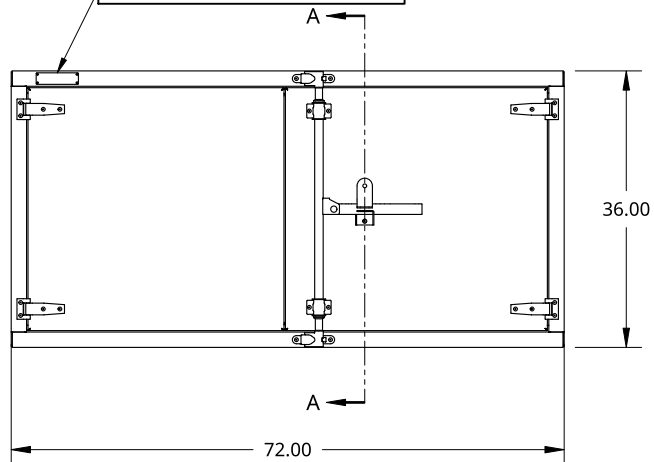


DETAIL B  
SCALE 1:6



B

SMALL SIZE TREBOR NAME PLATE



SECTION A - A

A

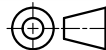
A

THIS DOCUMENT IS THE PROPERTY OF TREBOR MANUFACTURING. ANY UNAUTHORIZED REPRODUCTION WILL BE PROSECUTED TO THE FULL EXTENT OF THE LAW

UNLESS OTHERWISE SPECIFIED, DIMENSIONS ARE IN INCHES

.XX = ±.1-  
.XXX = ±.015- ANGULAR = ±1°  
.XXXX = ±.005- FRACTIONAL = ±1/8

THIRD ANGLE PROJECTION



DRAWN BY	SHAWN CROCKER	10/13/2021
CHANGED BY	RAUL MANRIQUE	08/02/2022

MATERIAL  
1/8 ALU MILL

PART NO. TRPLSS3672P REV. B

TWO DOOR RECESSED DOOR TOOL BOX - 24 X 36 X 72 - 18G SS MIRROR DOORS - COMPRESSION LOCK - OPEN RIGHT

SIZE A DWG NO. D6018 REV. B

SCALE 1:25	WEIGHT 159.79 LB	SHEET 1 of 1
------------	------------------	--------------

2

1