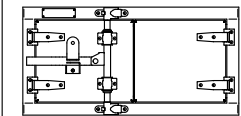


2

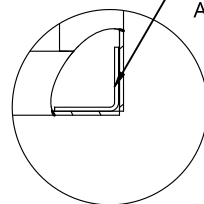
1

OTHER DOOR OPTIONS

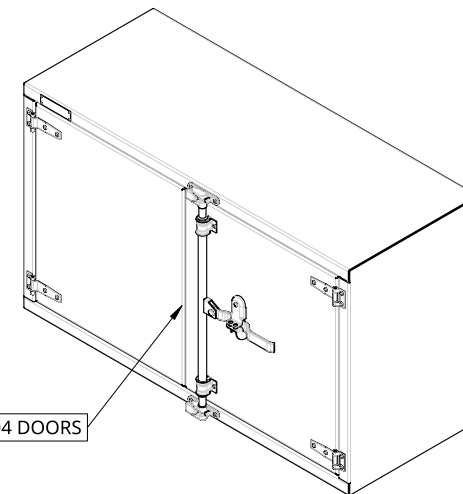
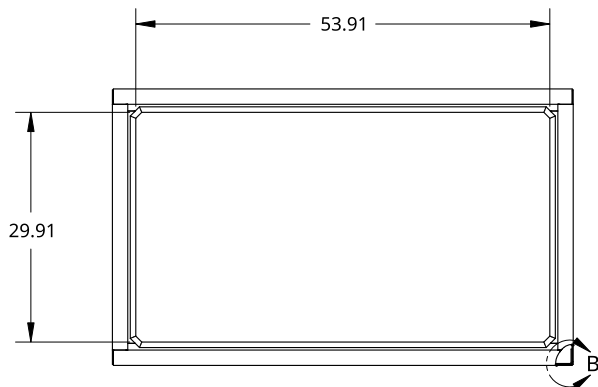


OPEN LEFT

INNER REINFORCEMENT
ANGLE BOTH SIDES

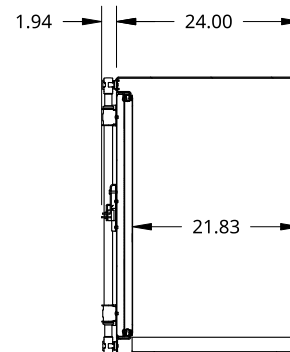
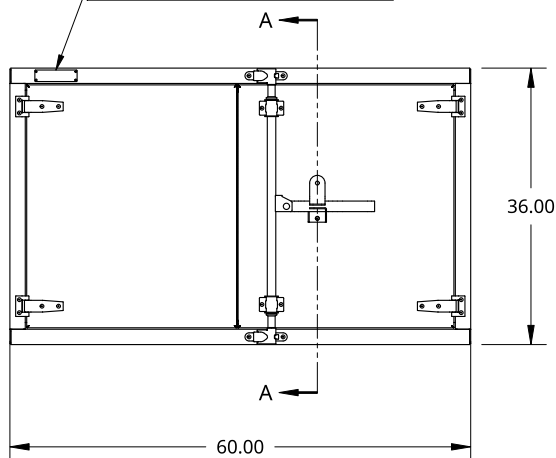


DETAIL B
SCALE 1:6



18G SS MIRROR 304 DOORS

SMALL SIZE TREBOR NAME PLATE



SECTION A - A

THIS DOCUMENT IS THE PROPERTY OF TREBOR
MANUFACTURING. ANY UNAUTHORIZED REPRODUCTION
WILL BE PROSECUTED TO THE FULL EXTENT OF THE LAW

UNLESS OTHERWISE SPECIFIED,
DIMENSIONS ARE IN INCHES

.XX = ±.1- ANGULAR = ±1°
.XXX = ±.015- FRACTIONAL = ±1/8
.XXXX = ±.005-

THIRD ANGLE PROJECTION



DRAWN SHAWN CROCKER 10/13/2021

MATERIAL
1/8 ALU MILL

PART NO. **TRPLSS3660P** REV. **B1**

TWO DOOR RECESSED DOOR TOOL BOX - 24 X 36 X 60 - 18G SS MIRROR
DOORS - COMPRESSION LOCK - OPEN RIGHT

SIZE **A** DWG NO. **D6026** REV. **A1**

SCALE **1:25** WEIGHT **140.34 LB** SHEET **1 of 1**

2

1

B

A

B

A