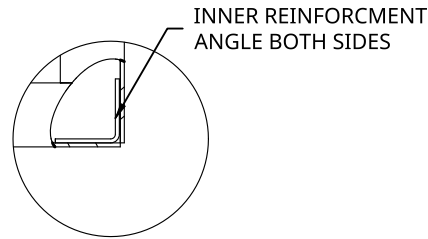
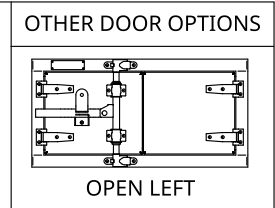
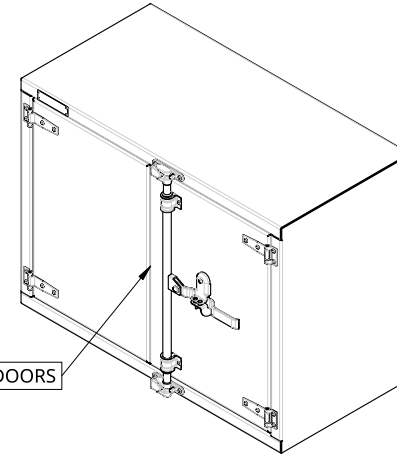
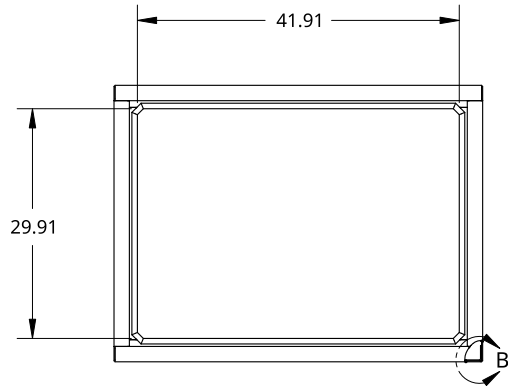


2

1

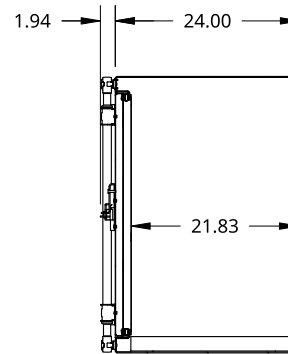
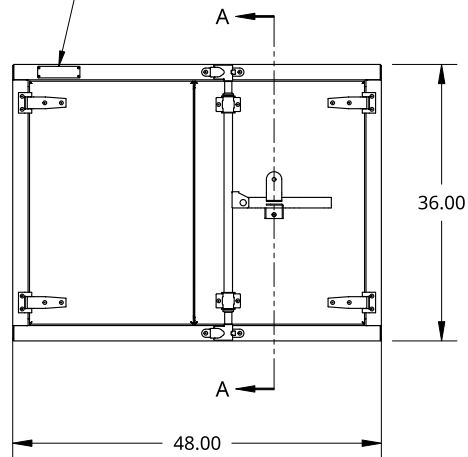


DETAIL B
SCALE 1:6



18G SS MIRROR 304 DOORS

SMALL SIZE TREBOR NAME PLATE



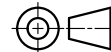
SECTION A - A

THIS DOCUMENT IS THE PROPERTY OF TREBOR MANUFACTURING. ANY UNAUTHORIZED REPRODUCTION WILL BE PROSECUTED TO THE FULL EXTENT OF THE LAW

UNLESS OTHERWISE SPECIFIED, DIMENSIONS ARE IN INCHES

.XX = ±.1- ANGULAR = ±1°
.XXX = ±.015- FRACTIONAL = ±1/8
.XXXX = ±.005-

THIRD ANGLE PROJECTION



DRAWN SHAWN CROCKER 10/13/2021

MATERIAL
1/8 ALU MILL

PART NO.		TRPLSS3648P		REV.	B1
TWO DOOR RECESSED DOOR TOOL BOX - 24 X 36 X 48 - 18G SS MIRROR DOORS - COMPRESSION LOCK - OPEN RIGHT					
SIZE	A		DWG NO.	D5957	
SCALE	1:25	WEIGHT	120.83 LB	SHEET	1 of 1
				REV.	C1

2

1

B

A

B

A