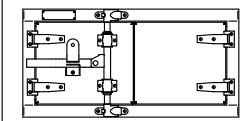


2

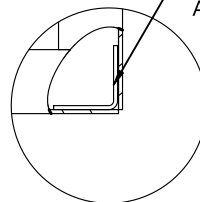
1

OTHER DOOR OPTIONS

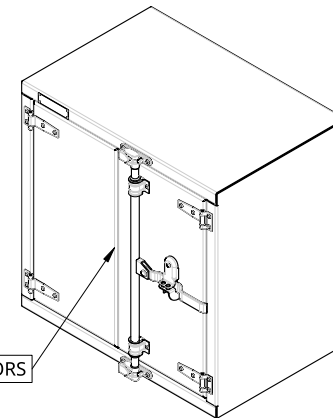
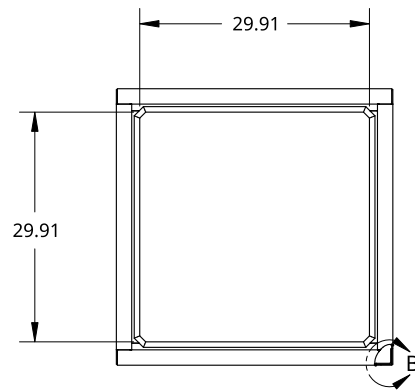


OPEN LEFT

INNER REINFORCEMENT
ANGLE BOTH SIDES

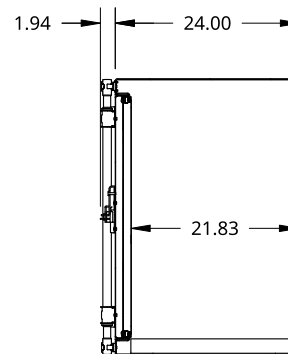
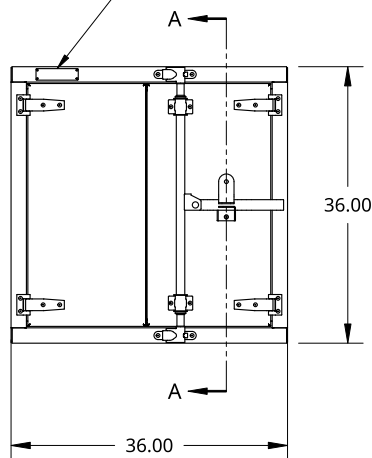


DETAIL B
SCALE 1:6



18G SS MIRROR 304 DOORS

SMALL SIZE TREBOR NAME PLATE



SECTION A - A

THIS DOCUMENT IS THE PROPERTY OF TREBOR
MANUFACTURING. ANY UNAUTHORIZED REPRODUCTION
WILL BE PROSECUTED TO THE FULL EXTENT OF THE LAW

UNLESS OTHERWISE SPECIFIED,
DIMENSIONS ARE IN INCHES

.XX = ±.1-
.XXX = ±.015- ANGULAR = ±1°
.XXXX = ±.005- FRACTIONAL = ±1/8

THIRD ANGLE PROJECTION



DRAWN SHAWN CROCKER 10/13/2021

MATERIAL
1/8 ALU MILL

PART NO.		TRPLSS3636P		REV.	A1
TWO DOOR RECESSED DOOR TOOL BOX - 24 X 36 X 36 - 18G SS MIRROR DOORS - COMPRESSION LOCK - OPEN RIGHT					
SIZE	A		DWG. NO.	D5919	
SCALE	1:25	WEIGHT	101.32 LB	SHEET	1 of 1
REV.	A1				

2

1

B

A

B

A