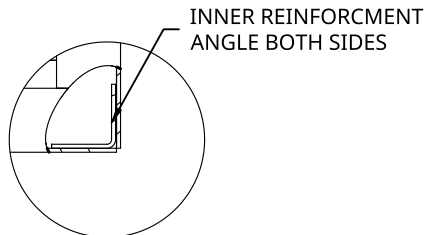
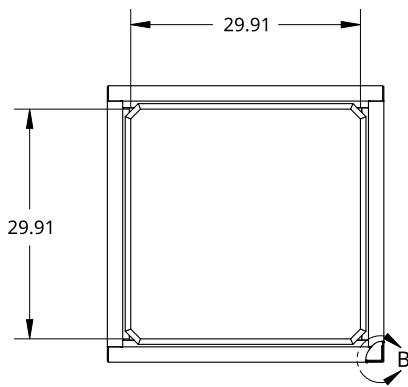


2

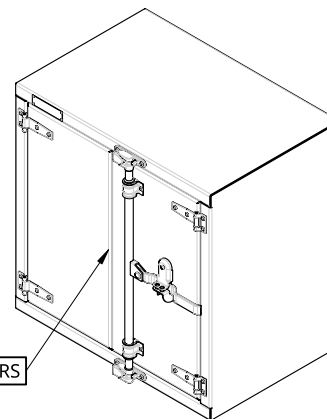
1

B

B



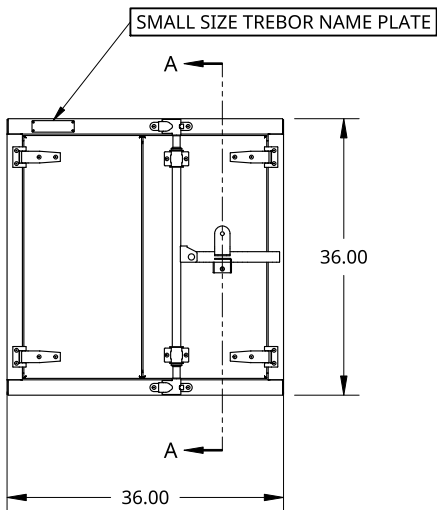
DETAIL B
SCALE 1:6



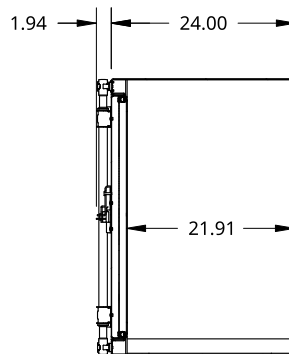
18G SS MIRROR 304 DOORS

A

A



SMALL SIZE TREBOR NAME PLATE



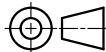
SECTION A - A

THIS DOCUMENT IS THE PROPERTY OF TREBOR MANUFACTURING. ANY UNAUTHORIZED REPRODUCTION WILL BE PROSECUTED TO THE FULL EXTENT OF THE LAW

UNLESS OTHERWISE SPECIFIED, DIMENSIONS ARE IN INCHES

.XX = ±.1-
.XXX = ±.015- ANGULAR = ±1°
.XXXX = ±.005- FRACTIONAL = ±1/8

THIRD ANGLE PROJECTION



DRAWN BY	SHAWN CROCKER	10/13/2021
CHANGED BY	RAUL MANRIQUE	08/02/2022

MATERIAL
1/8 ALU MILL

PART NO. TRPLSS3636P REV. B

TWO DOOR RECESSED DOOR TOOL BOX - 24 X 36 X 36 - 18G SS MIRROR DOORS - COMPRESSION LOCK - OPEN RIGHT

SIZE A DWG NO. D5919 REV. B

SCALE 1:25 WEIGHT 101.32 LB SHEET 1 of 1

2

1