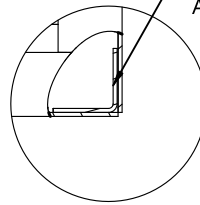


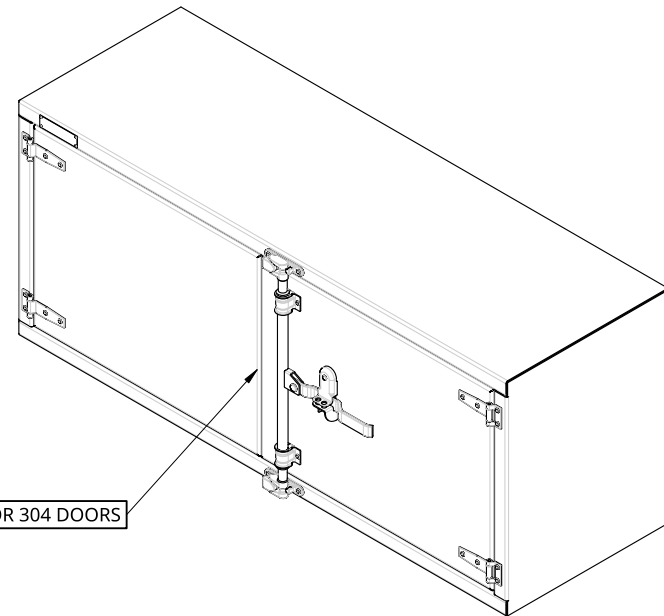
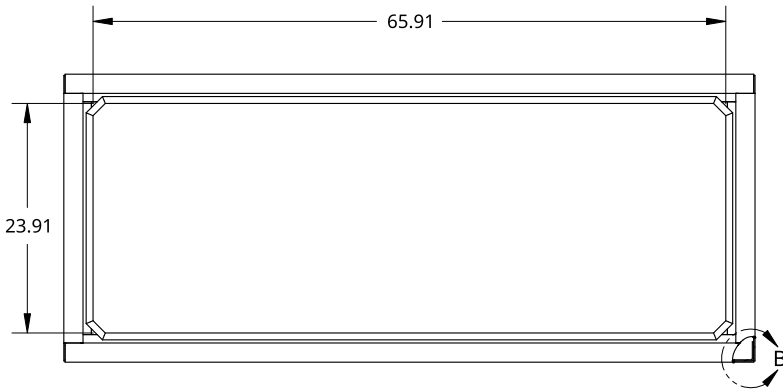
2

1

INNER REINFORCEMENT
ANGLE BOTH SIDES

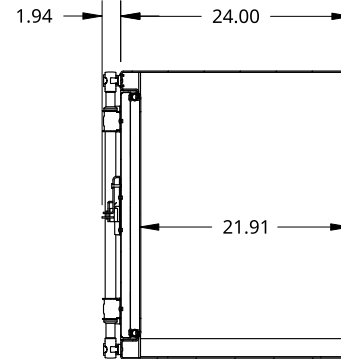
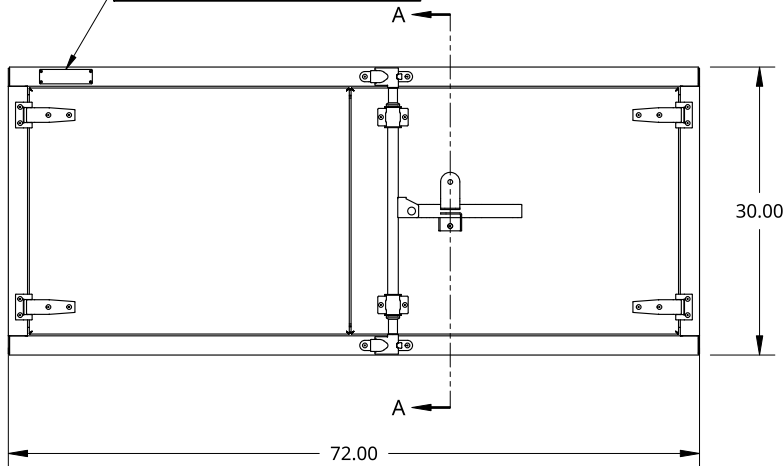


DETAIL B
SCALE 1:6



18G SS MIRROR 304 DOORS

SMALL SIZE TREBOR NAME PLATE



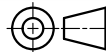
SECTION A - A

THIS DOCUMENT IS THE PROPERTY OF TREBOR
MANUFACTURING. ANY UNAUTHORIZED REPRODUCTION
WILL BE PROSECUTED TO THE FULL EXTENT OF THE LAW

UNLESS OTHERWISE SPECIFIED,
DIMENSIONS ARE IN INCHES

.XX = ±.1-
.XXX = ±.015- ANGULAR = ±1°
.XXXX = ±.005- FRACTIONAL = ±1/8

THIRD ANGLE PROJECTION



DRAWN BY SHAWN CROCKER 10/13/2021
CHANGED BY RAUL MANRIQUE 08/02/2022

MATERIAL
1/8 ALU MILL

PART NO. TRPLSS3072P REV. C

TWO DOOR RECESSED DOOR TOOL BOX - 24 X 30 X 72 - 18G SS MIRROR
DOORS - COMPRESSION LOCK - OPEN RIGHT

SIZE A DWG NO. D5881 REV. C

SCALE 1:20 WEIGHT 143.68 LB SHEET 1 of 1

2

1

B

A