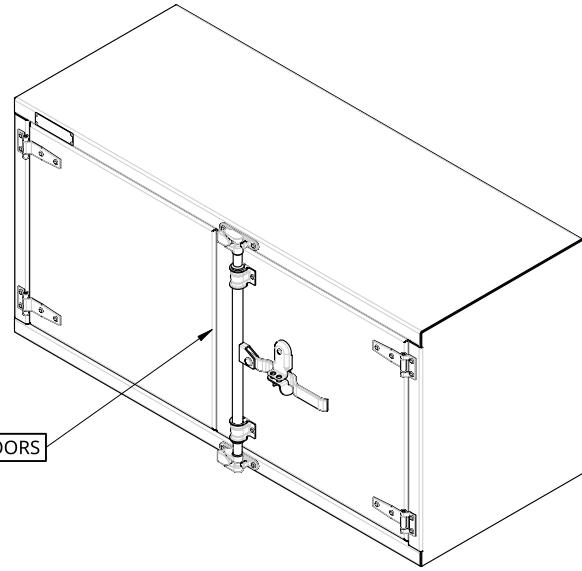
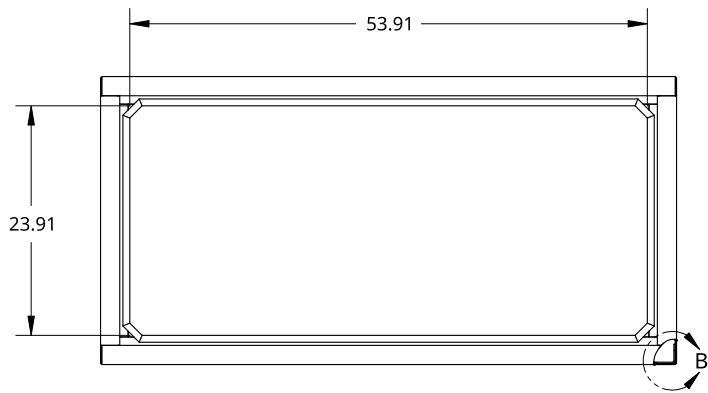


2

1

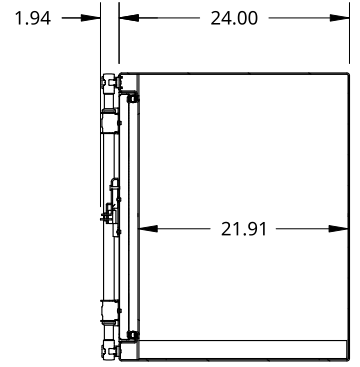
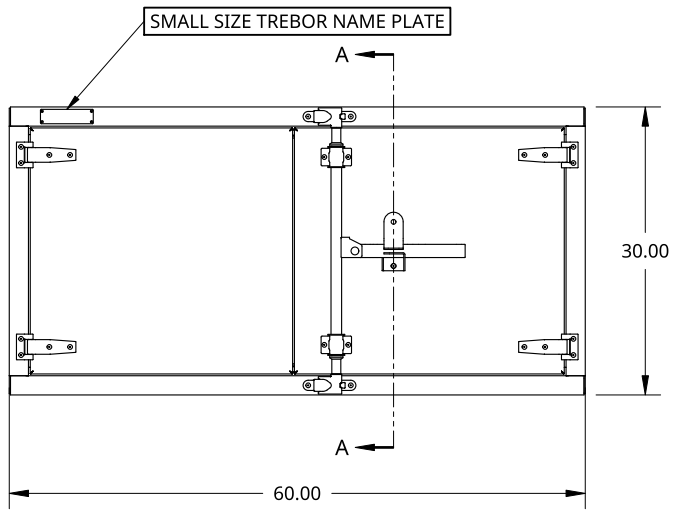
B

B



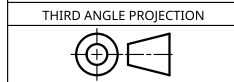
A

A



THIS DOCUMENT IS THE PROPERTY OF TREBOR MANUFACTURING. ANY UNAUTHORIZED REPRODUCTION WILL BE PROSECUTED TO THE FULL EXTENT OF THE LAW

UNLESS OTHERWISE SPECIFIED, DIMENSIONS ARE IN INCHES
 .XX = ±.1-
 .XXX = ±.015- ANGULAR = ±1°
 .XXXX = ±.005- FRACTIONAL = ±1/8



DRAWN BY	SHAWN CROCKER	10/13/2021
CHANGED BY	RAUL MANRIQUE	08/02/2022

MATERIAL
1/8 ALU MILL

PART NO. TRPLSS3060P REV. B

TWO DOOR RECESSED DOOR TOOL BOX - 24 X 30 X 60 - 18G SS MIRROR DOORS - COMPRESSION LOCK - OPEN RIGHT

SIZE A DWG. NO. D5852 REV. B

SCALE 1:20	WEIGHT 126.01 LB	SHEET 1 of 1
------------	------------------	--------------

2

1