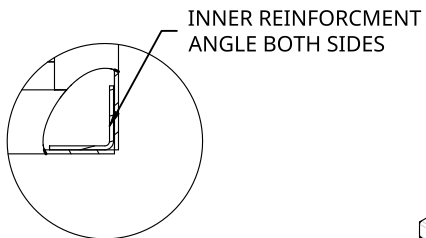
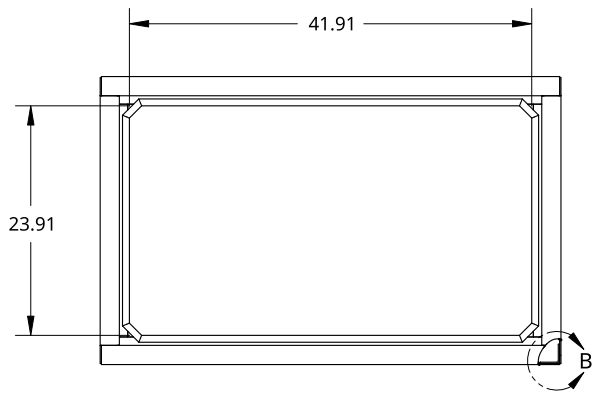


2

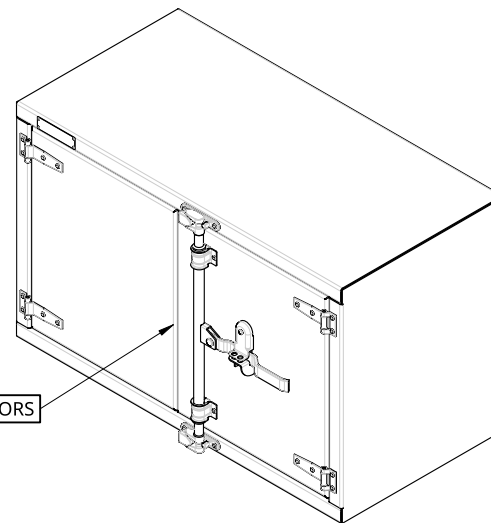
1

B

B



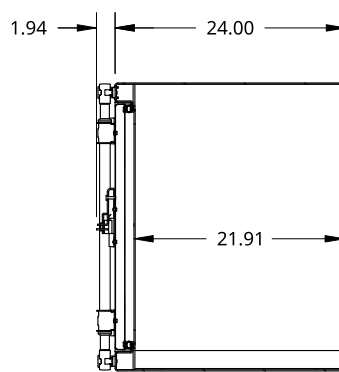
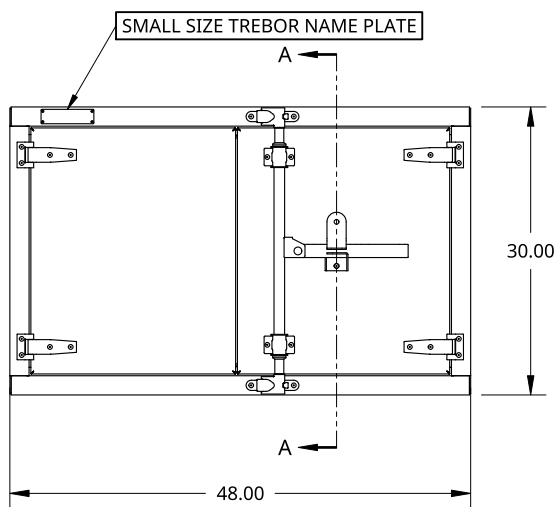
DETAIL B  
SCALE 1:6



18G SS MIRROR 304 DOORS

A

A



SECTION A - A

THIS DOCUMENT IS THE PROPERTY OF TREBOR MANUFACTURING. ANY UNAUTHORIZED REPRODUCTION WILL BE PROSECUTED TO THE FULL EXTENT OF THE LAW



PART NO.	TRPLSS3048P	REV.	B
----------	-------------	------	---

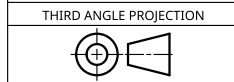
UNLESS OTHERWISE SPECIFIED,  
DIMENSIONS ARE IN INCHES

.XX = ±.1-  
.XXX = ±.015-  
.XXXX = ±.005-

ANGULAR = ±1°  
FRACTIONAL = ±1/8

DRAWN BY	SHAWN CROCKER	10/13/2021
CHANGED BY	RAUL MANRIQUE	08/02/2022

TWO DOOR RECESSED DOOR TOOL BOX - 24 X 30 X 48 - 18G SS MIRROR DOORS - COMPRESSION LOCK - OPEN RIGHT



MATERIAL	1/8 ALU MILL
----------	--------------

SIZE	A	DWG. NO.	D5823	REV.	B
SCALE	1:20	WEIGHT	108.31 LB	SHEET	1 of 1

2

1