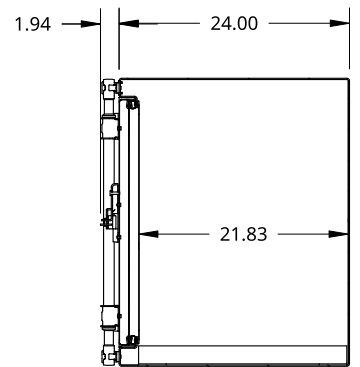
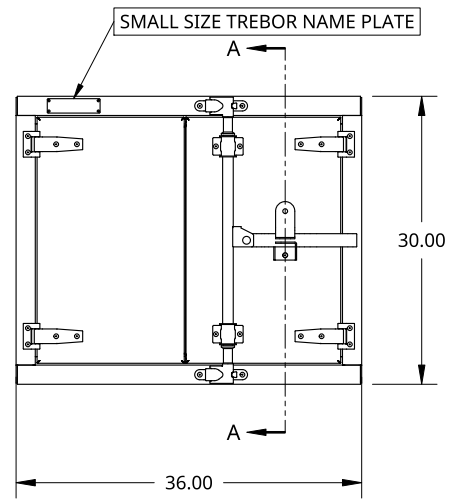
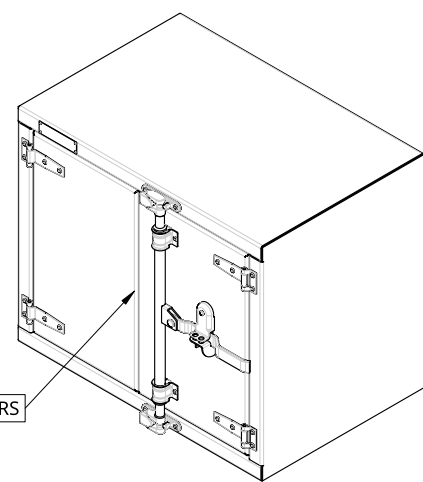
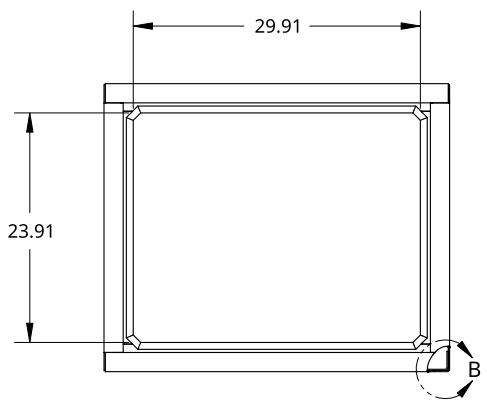
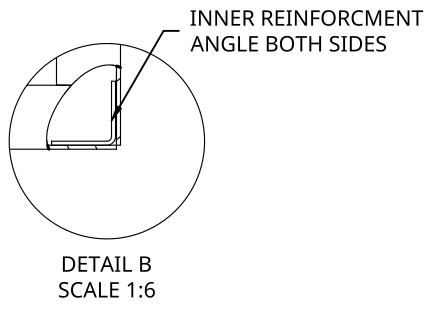
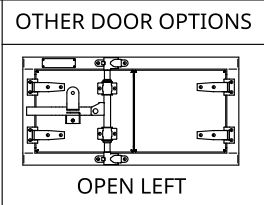


2

1



SECTION A - A

<small>THIS DOCUMENT IS THE PROPERTY OF TREBOR MANUFACTURING. ANY UNAUTHORIZED REPRODUCTION WILL BE PROSECUTED TO THE FULL EXTENT OF THE LAW</small>				PART NO. TRPLSS3036P	REV. B1
<small>UNLESS OTHERWISE SPECIFIED, DIMENSIONS ARE IN INCHES .XX = ±.1- .XXX = ±.015- .XXXX = ±.005- ANGULAR = ±1° FRACTIONAL = ±1/8</small>		DRAWN SHAWN CROCKER	10/13/2021	TWO DOOR RECESSED DOOR TOOL BOX - 24 X 30 X 36 - 18G SS MIRROR DOORS - COMPRESSION LOCK - OPEN RIGHT	
THIRD ANGLE PROJECTION 		MATERIAL 1/8 ALU MILL		SIZE A	DWG NO. D5798
		SCALE 1:20	WEIGHT 90.61 LB	SHEET 1 of 1	REV. A1

2

1

B

B

A

A