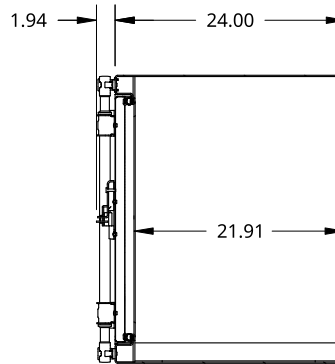
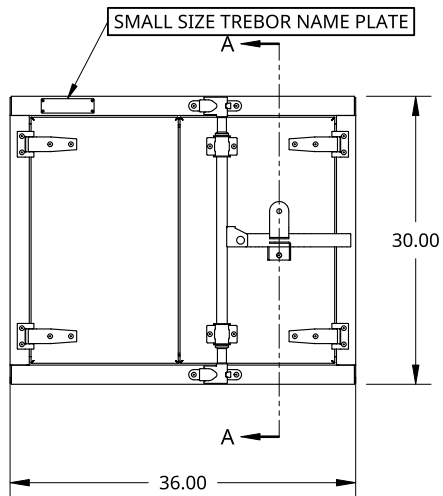
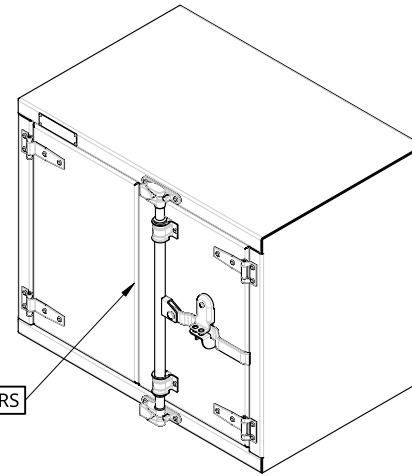
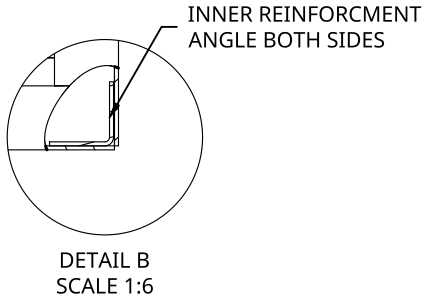
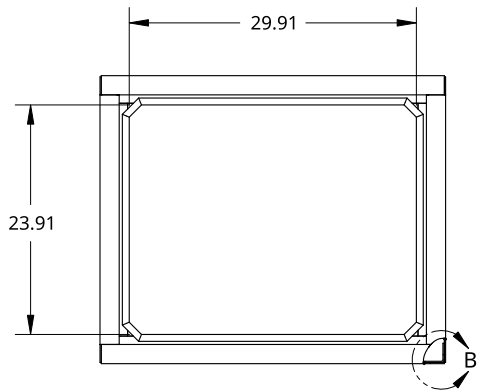




2

1



SECTION A - A

<small>THIS DOCUMENT IS THE PROPERTY OF TREBOR MANUFACTURING. ANY UNAUTHORIZED REPRODUCTION WILL BE PROSECUTED TO THE FULL EXTENT OF THE LAW</small>				PART NO. <b>TRPLSS3036P</b>	REV. <b>C</b>
UNLESS OTHERWISE SPECIFIED, DIMENSIONS ARE IN INCHES .XX = ±.1- .XXX = ±.015- .XXXX = ±.005-		ANGULAR = ±1° FRACTIONAL = ±1/8		TWO DOOR RECESSED DOOR TOOL BOX - 24 X 30 X 36 - 18G SS MIRROR DOORS - COMPRESSION LOCK - OPEN RIGHT	
THIRD ANGLE PROJECTION 		MATERIAL <b>1/8 ALU MILL</b>		SIZE <b>A</b>	DWG NO. <b>D5798</b>
		SCALE <b>1:20</b>	WEIGHT <b>90.61 LB</b>	SHEET <b>1 of 1</b>	REV. <b>B</b>

2

1

B

B

A

A