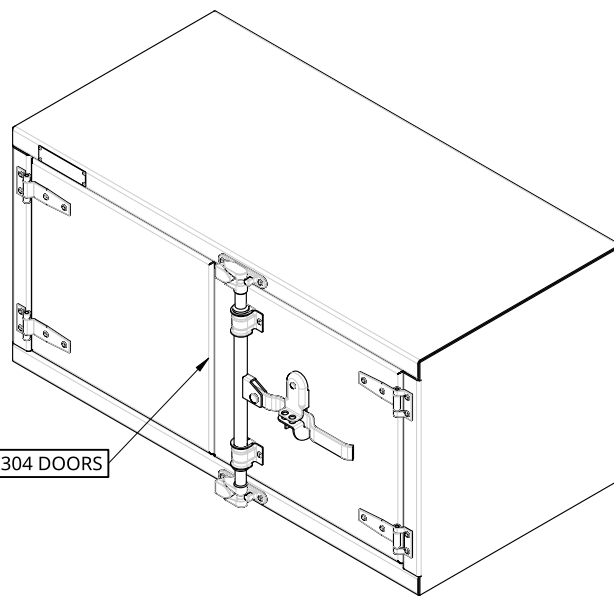
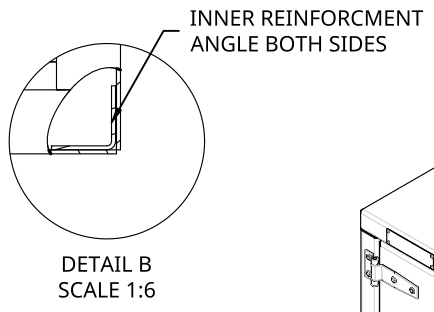
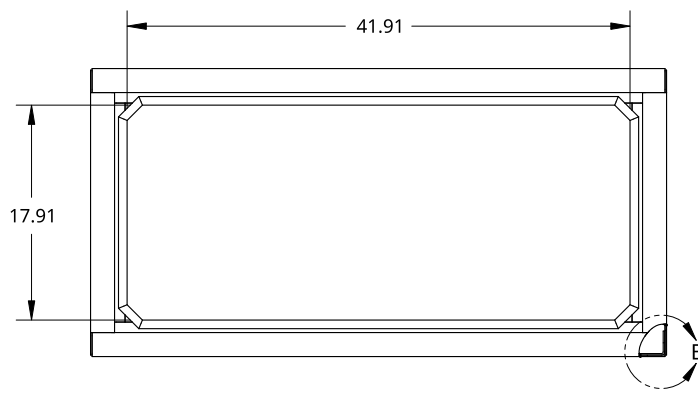


2

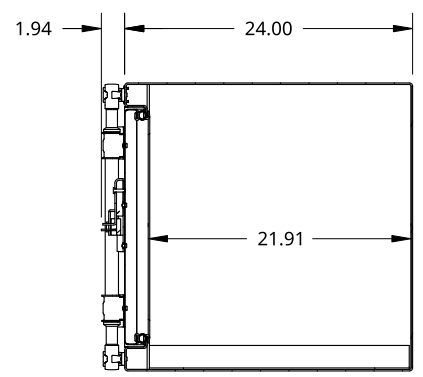
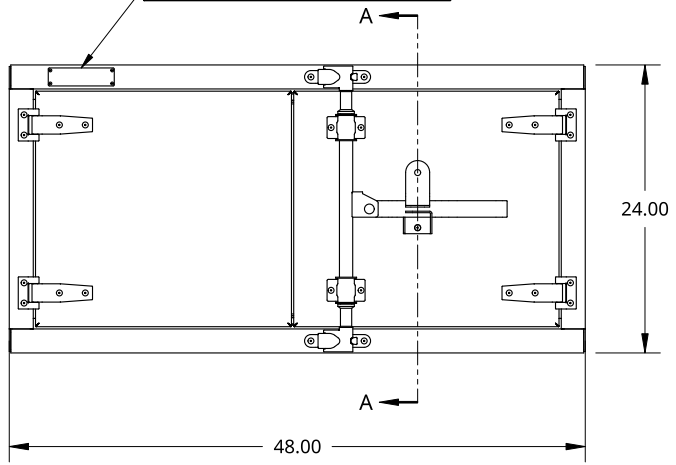
1

B



B



SMALL SIZE TREBOR NAME PLATE



SECTION A - A

A

A

<small>THIS DOCUMENT IS THE PROPERTY OF TREBOR MANUFACTURING. ANY UNAUTHORIZED REPRODUCTION WILL BE PROSECUTED TO THE FULL EXTENT OF THE LAW</small>				PART NO. TRPLSS2448P	REV. B
<small>UNLESS OTHERWISE SPECIFIED, DIMENSIONS ARE IN INCHES .XX = ±.1- .XXX = ±.015- .XXXX = ±.005- ANGULAR = ±1° FRACTIONAL = ±1/8</small>		DRAWN BY SHAWN CROCKER 10/13/2021 CHANGED BY RAUL MANRIQUE 08/02/2022	TWO DOOR RECESSED DOOR TOOL BOX - 24 X 24 X 48 - 18G SS MIRROR DOORS - COMPRESSION LOCK - OPEN RIGHT		
THIRD ANGLE PROJECTION 		MATERIAL 1/8 ALU MILL		SIZE A DWG. NO. D5750	REV. B
		SCALE 1:16	WEIGHT 95.81 LB	SHEET 1 of 1	

2

1