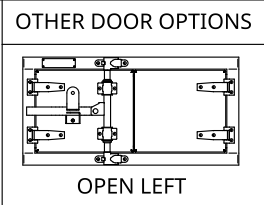
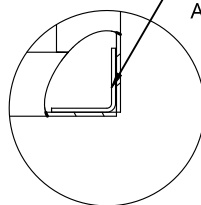


2

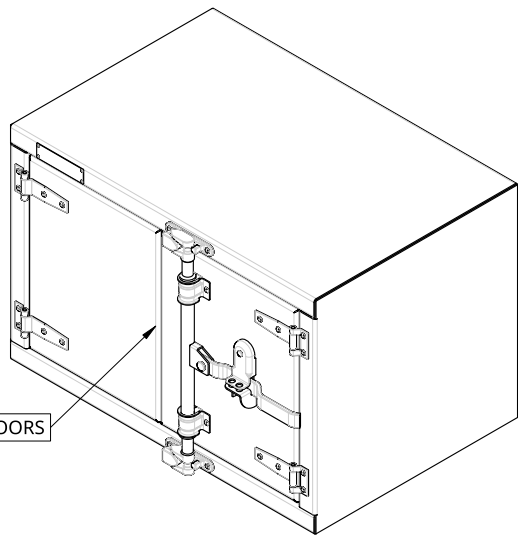
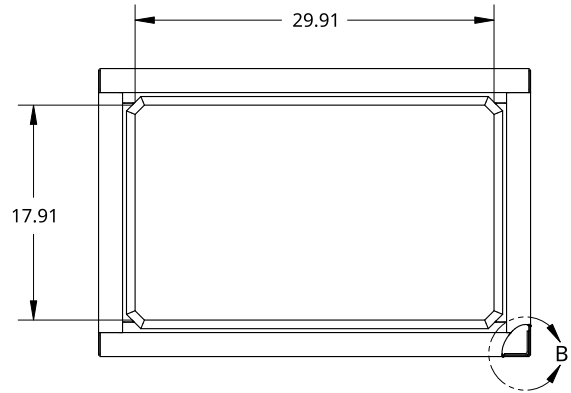
1



INNER REINFORCEMENT
ANGLE BOTH SIDES

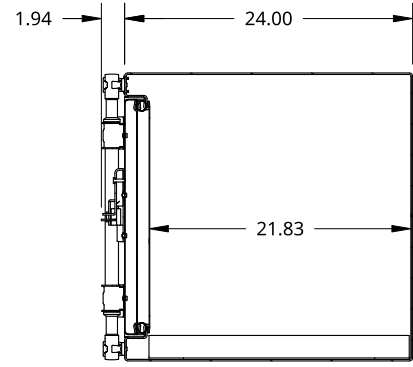
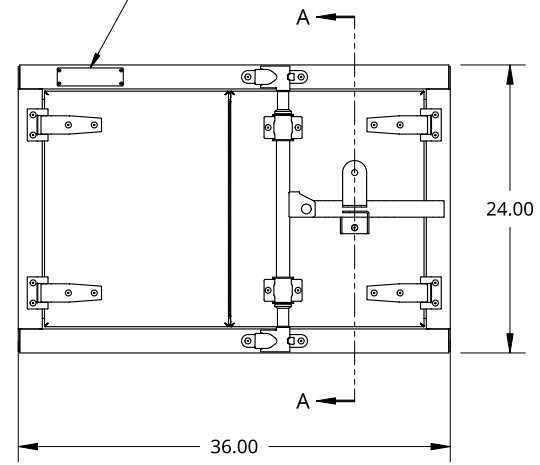


DETAIL B
SCALE 1:6



18G SS MIRROR 304 DOORS

SMALL SIZE TREBOR NAME PLATE

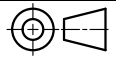


SECTION A - A

THIS DOCUMENT IS THE PROPERTY OF TREBOR MANUFACTURING. ANY UNAUTHORIZED REPRODUCTION WILL BE PROSECUTED TO THE FULL EXTENT OF THE LAW

UNLESS OTHERWISE SPECIFIED, DIMENSIONS ARE IN INCHES
.XX = ±.1-
.XXX = ±.015-
.XXXX = ±.005-
ANGULAR = ±1°
FRACTIONAL = ±1/8

THIRD ANGLE PROJECTION



DRAWN SHAWN CROCKER 10/13/2021

MATERIAL
1/8 ALU MILL

PART NO. TRPLSS2436P REV. A1

TWO DOOR RECESSED DOOR TOOL BOX - 24 X 24 X 36 - 18G SS MIRROR DOORS - COMPRESSION LOCK - OPEN RIGHT

SIZE A DWG NO. D5721 REV. A1

SCALE 1:16 WEIGHT 79.9 LB SHEET 1 of 1

2

1

B

B

A

A