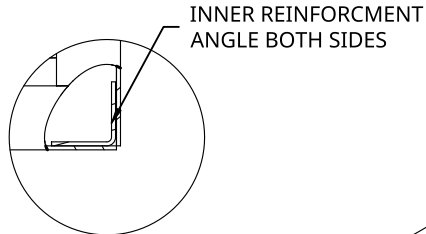
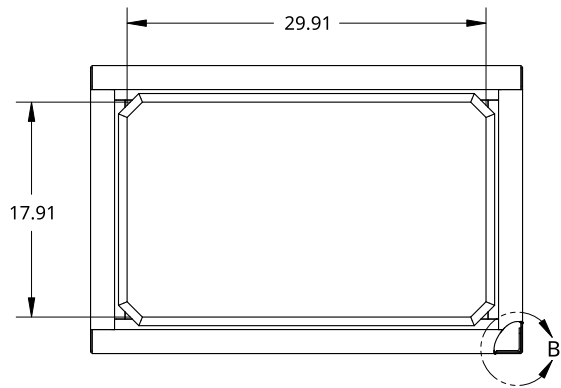


2

1

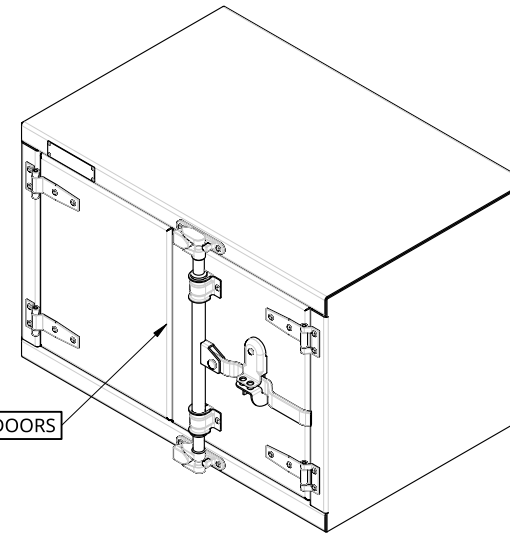
B

B



DETAIL B  
SCALE 1:6

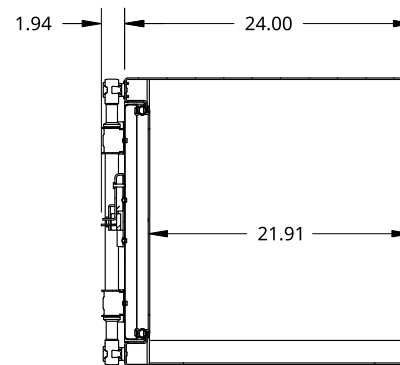
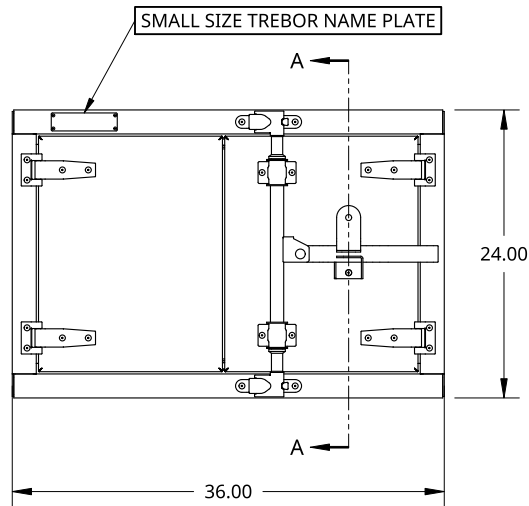
INNER REINFORCEMENT  
ANGLE BOTH SIDES



18G SS MIRROR 304 DOORS

A

A



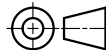
SECTION A - A

THIS DOCUMENT IS THE PROPERTY OF TREBOR  
MANUFACTURING. ANY UNAUTHORIZED REPRODUCTION  
WILL BE PROSECUTED TO THE FULL EXTENT OF THE LAW

UNLESS OTHERWISE SPECIFIED,  
DIMENSIONS ARE IN INCHES

.XX = ±.1-  
.XXX = ±.015- ANGULAR = ±1°  
.XXXX = ±.005- FRACTIONAL = ±1/8

THIRD ANGLE PROJECTION



DRAWN BY	SHAWN CROCKER	10/13/2021
CHANGED BY	RAUL MANRIQUE	08/02/2022

MATERIAL  
1/8 ALU MILL

PART NO. TRPLSS2436P REV. B

TWO DOOR RECESSED DOOR TOOL BOX - 24 X 24 X 36 - 18G SS MIRROR DOORS - COMPRESSION LOCK - OPEN RIGHT

SIZE A DWG NO. D5721 REV. B

SCALE 1:16	WEIGHT 79.9 LB	SHEET 1 of 1
------------	----------------	--------------

2

1