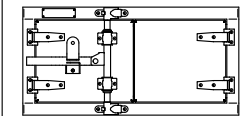


2

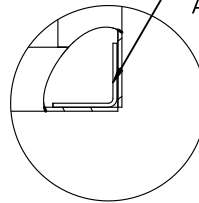
1

OTHER DOOR OPTIONS

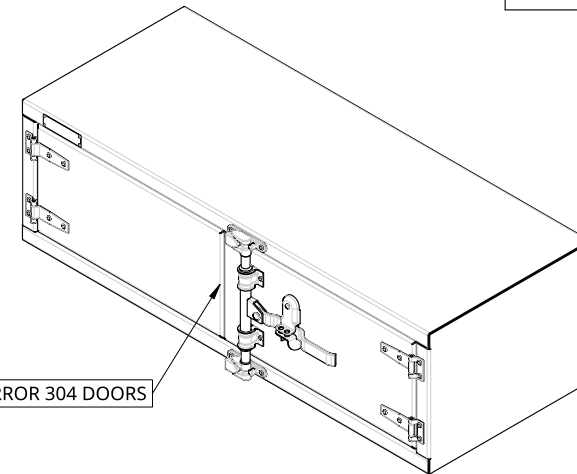
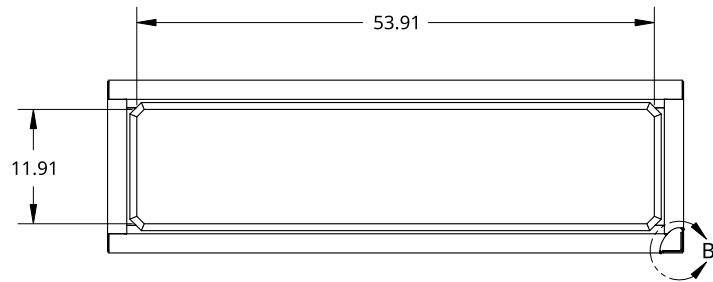


OPEN LEFT

INNER REINFORCEMENT  
ANGLE BOTH SIDES

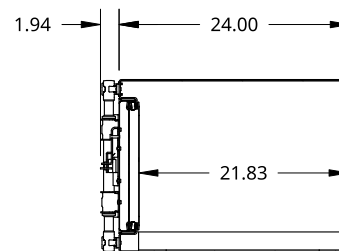
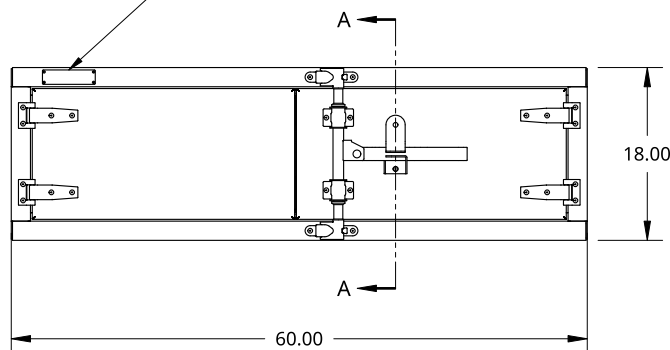


DETAIL B  
SCALE 1:6



18G SS MIRROR 304 DOORS

SMALL SIZE TREBOR NAME PLATE



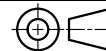
SECTION A - A

THIS DOCUMENT IS THE PROPERTY OF TREBOR  
MANUFACTURING. ANY UNAUTHORIZED REPRODUCTION  
WILL BE PROSECUTED TO THE FULL EXTENT OF THE LAW

UNLESS OTHERWISE SPECIFIED,  
DIMENSIONS ARE IN INCHES

.XX = ±.1-  
.XXX = ±.015- ANGULAR = ±1°  
.XXXX = ±.005- FRACTIONAL = ±1/8

THIRD ANGLE PROJECTION



DRAWN SHAWN CROCKER 10/13/2021

MATERIAL  
1/8 ALU MILL

PART NO. TRPLSS1860P REV. A1

TWO DOOR RECESSED DOOR TOOL BOX - 24 X 18 X 60 - 18G SS MIRROR  
DOORS - COMPRESSION LOCK - OPEN RIGHT

SIZE A DWG NO. D5707 REV. A1

SCALE 1:20 WEIGHT 97.38 LB SHEET 1 of 1

2

1

B

A

B

A