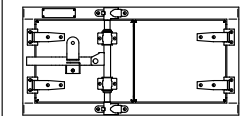


2

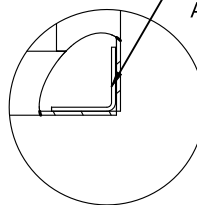
1

OTHER DOOR OPTIONS

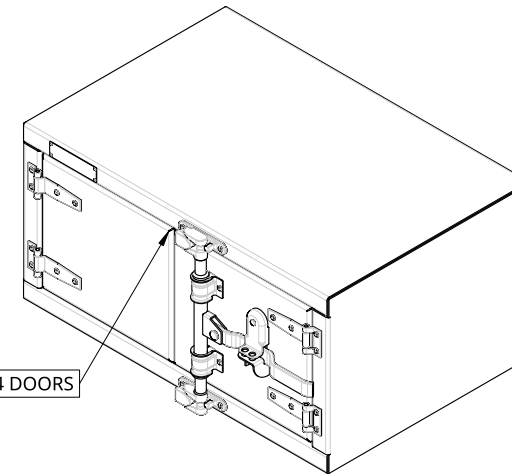
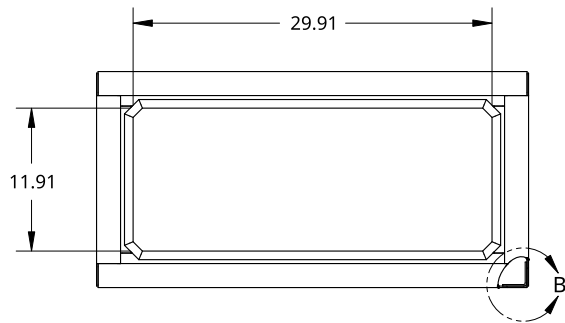


OPEN LEFT

INNER REINFORCEMENT  
ANGLE BOTH SIDES

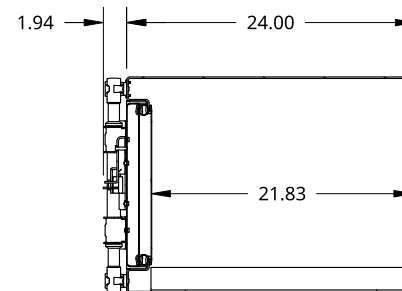
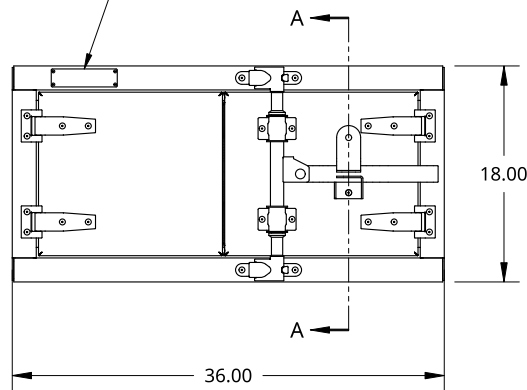


DETAIL B  
SCALE 1:6



18G SS MIRROR 304 DOORS

SMALL SIZE TREBOR NAME PLATE



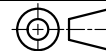
SECTION A - A

THIS DOCUMENT IS THE PROPERTY OF TREBOR  
MANUFACTURING. ANY UNAUTHORIZED REPRODUCTION  
WILL BE PROSECUTED TO THE FULL EXTENT OF THE LAW

UNLESS OTHERWISE SPECIFIED,  
DIMENSIONS ARE IN INCHES

.XX = ±.1-  
.XXX = ±.015-  
.XXXX = ±.005-  
ANGULAR = ±1°  
FRACTIONAL = ±1/8

THIRD ANGLE PROJECTION



DRAWN SHAWN CROCKER 10/13/2021

MATERIAL  
1/8 ALU MILL

PART NO.		TRPLSS1836P		REV.	A1
TWO DOOR RECESSED DOOR TOOL BOX - 24 X 18 X 36 - 18G SS MIRROR DOORS - COMPRESSION LOCK - OPEN RIGHT					
SIZE	A		DWG NO.	D5554	
SCALE	1:16	WEIGHT	69.19 LB	SHEET	1 of 1
REV.	A1				

2

1

B

A

B

A