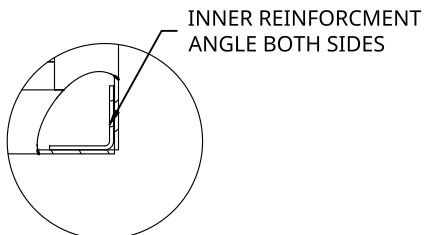
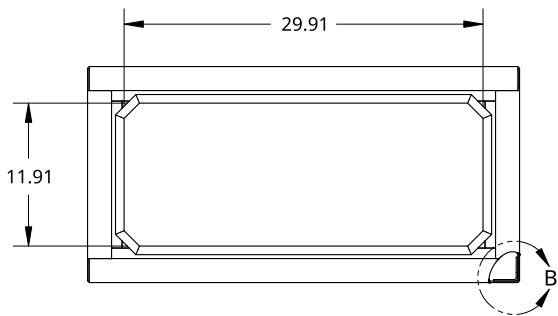


2

1

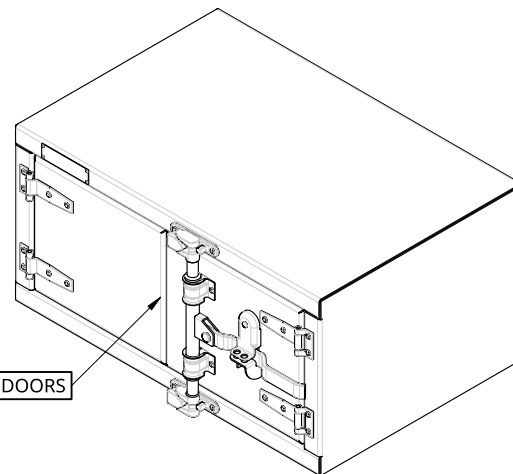
B

B



DETAIL B
SCALE 1:6

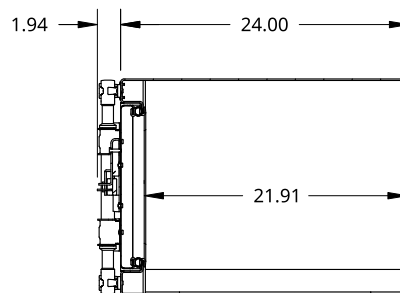
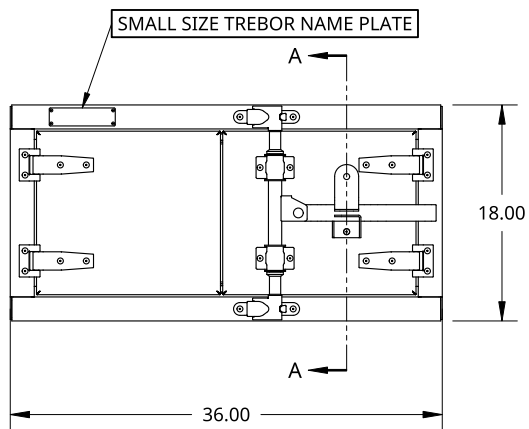
INNER REINFORCEMENT
ANGLE BOTH SIDES



18G SS MIRROR 304 DOORS

A

A



SECTION A - A

THIS DOCUMENT IS THE PROPERTY OF TREBOR
MANUFACTURING. ANY UNAUTHORIZED REPRODUCTION
WILL BE PROSECUTED TO THE FULL EXTENT OF THE LAW



PART NO.	TRPLSS1836P	REV.	B
----------	-------------	------	---

TWO DOOR RECESSED DOOR TOOL BOX - 24 X 18 X 36 - 18G SS MIRROR DOORS - COMPRESSION LOCK - OPEN RIGHT

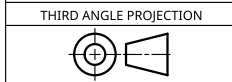
UNLESS OTHERWISE SPECIFIED,
DIMENSIONS ARE IN INCHES

.XX = ±.1-
.XXX = ±.015-
.XXXX = ±.005-

ANGULAR = ±1°
FRACTIONAL = ±1/8

DRAWN BY	SHAWN CROCKER	10/13/2021
CHANGED BY	RAUL MANRIQUE	08/02/2022

SIZE	A	DWG NO.	D5554	REV.	B
------	---	---------	-------	------	---



THIRD ANGLE PROJECTION

MATERIAL

1/8 ALU MILL

SCALE	1:16	WEIGHT	69.19 LB	SHEET	1 of 1
-------	------	--------	----------	-------	--------

2

1