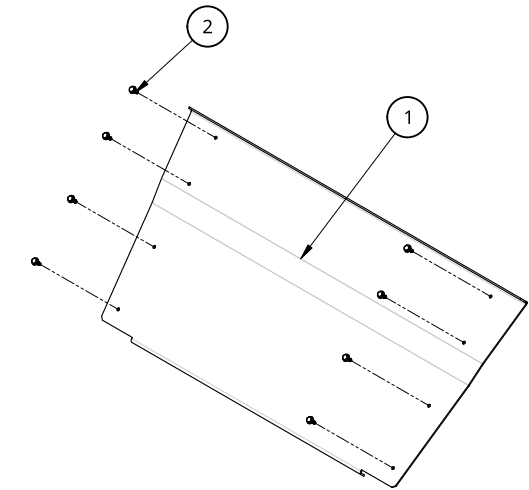
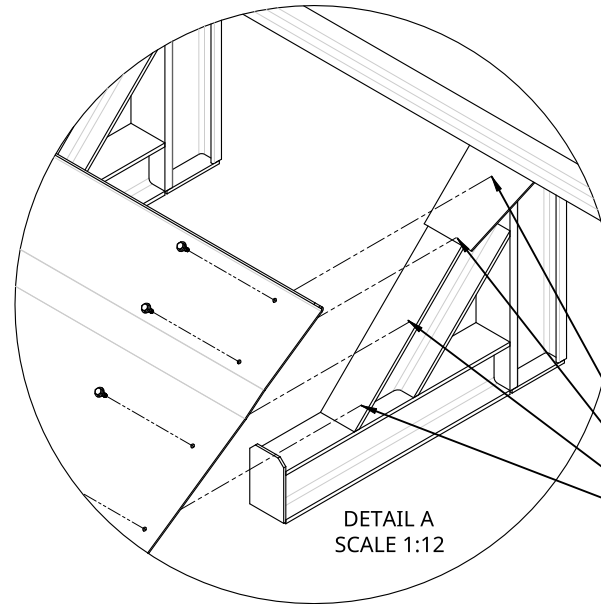
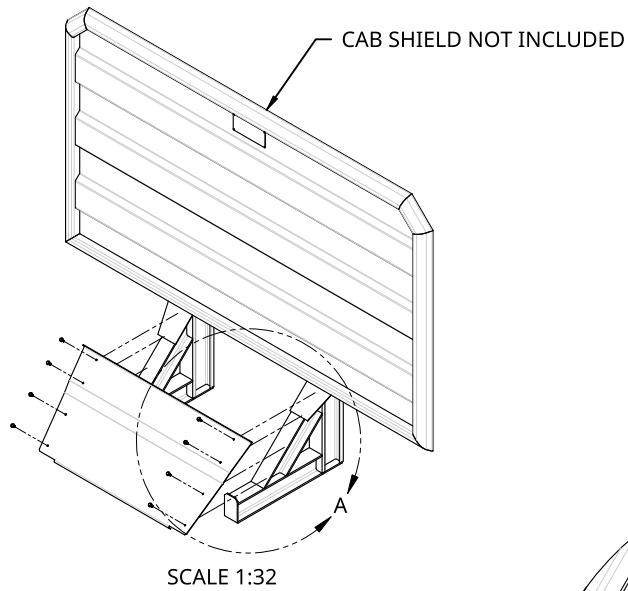




2

1

ITM	PART NUMBER	QTY	UOM	DESCRIPTION	MATERIAL
1	P0574	1	EACH	REGULAR LEG COVER FOR STANDARD CAB SHIELD - 33.5IN LEG SPREAD	1/8 ALU MILL
2	P24045	8	EACH	THREAD CUTTING BOLT - HEX HEAD WITH HEAD FLANGE - 1/4-20 X 0.75	STAINLESS STEEL



7/32IN HOLE NEEDS TO BE DRILLED
IN LEG FOR PROPER THREAD
TAPPING BOLT ENGAGEMENT

THIS DOCUMENT IS THE PROPERTY OF TREBOR MANUFACTURING. ANY UNAUTHORIZED REPRODUCTION WILL BE PROSECUTED TO THE FULL EXTENT OF THE LAW				PART NO. TRPLLC		REV. F
UNLESS OTHERWISE SPECIFIED, DIMENSIONS ARE IN INCHES .XX = ±.1- .XXX = ±.015- .XXXX = ±.005-				DRAWN BY SHAWN CROCKER 07/26/2021 CHANGED BY SHAWN CROCKER 12/02/2022		LEG COVER KIT - STANDARD LEG - STANDARD CAB SHIELD
THIRD ANGLE PROJECTION		MATERIAL 1/8 ALU MILL		SIZE A	DWG NO. D8882	REV. A
		SCALE 1:16	WEIGHT 8.42 LB	SHEET 1 of 1		

2

1