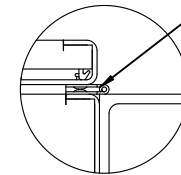
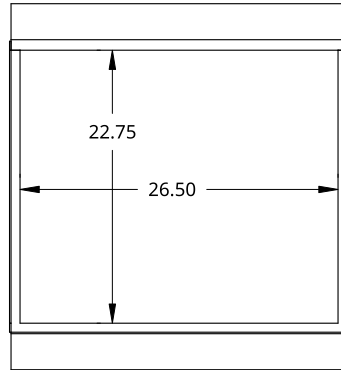
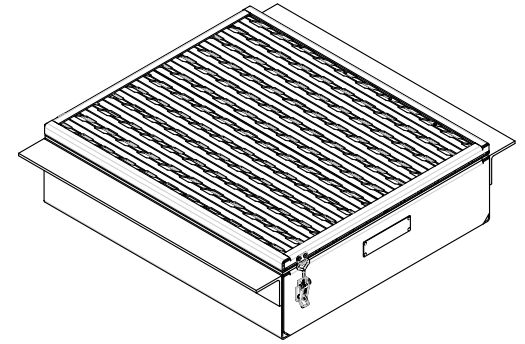


2

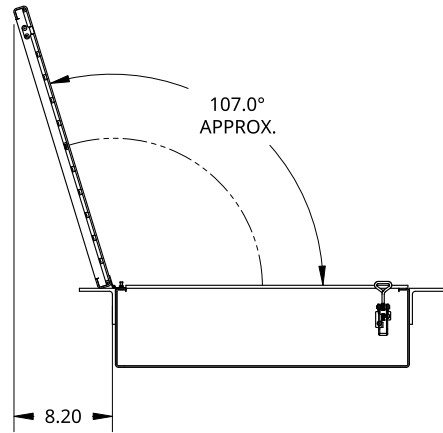
1

B



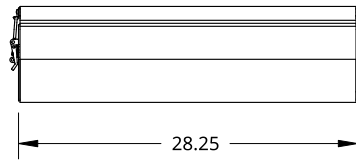
2IN CONTINUOUS HINGE

DETAIL A  
SCALE 1:5

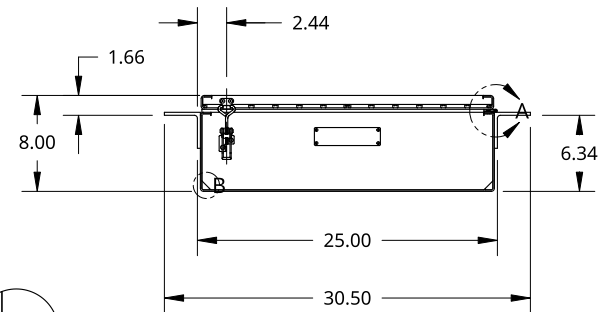


107.0°  
APPROX.

8.20



28.25



8.00

1.66

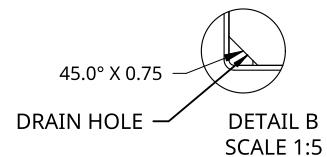
2.44

25.00

30.50

6.34

A



45.0° X 0.75

DRAIN HOLE

DETAIL B  
SCALE 1:5

B

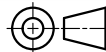
A

THIS DOCUMENT IS THE PROPERTY OF TREBOR MANUFACTURING. ANY UNAUTHORIZED REPRODUCTION WILL BE PROSECUTED TO THE FULL EXTENT OF THE LAW

UNLESS OTHERWISE SPECIFIED, DIMENSIONS ARE IN INCHES

.XX = ±.1-  
.XXX = ±.015-  
.XXXX = ±.005-  
ANGULAR = ±1°  
FRACTIONAL = ±1/8

THIRD ANGLE PROJECTION



DRAWN

SHAWN CROCKER

07/19/2021

MATERIAL

1/8 ALU MILL

PART NO. TRPLBF28825HD REV. B

BETWEEN FRAME TOOL BOX - HINGED HEAVY DUTY LID

SIZE A DWG NO. D8199 REV.

SCALE 1:16 WEIGHT 50.99 LB SHEET 1 of 1

2

1