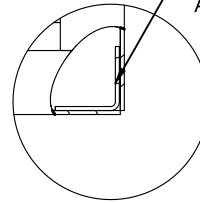


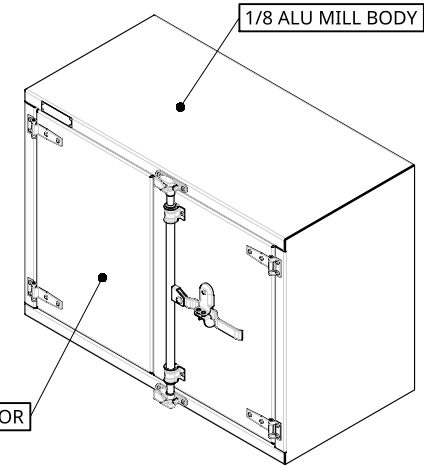
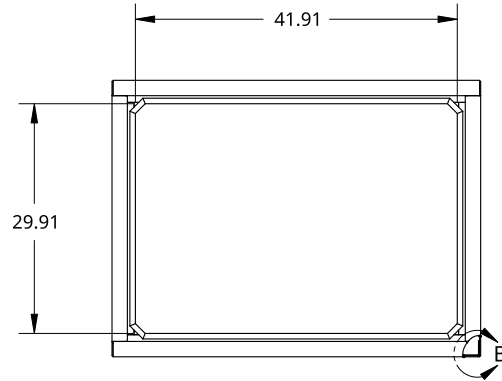
2

1

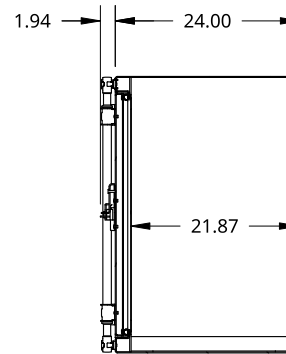
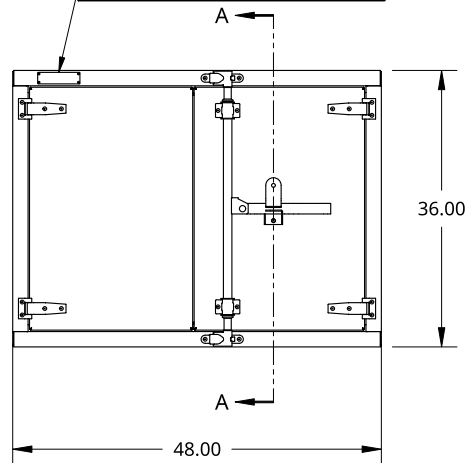
INNER REINFORCEMENT
ANGLE BOTH SIDES



DETAIL B
SCALE 1:6



SMALL SIZE TREBOR NAME PLATE



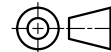
SECTION A - A

THIS DOCUMENT IS THE PROPERTY OF TREBOR
MANUFACTURING. ANY UNAUTHORIZED REPRODUCTION
WILL BE PROSECUTED TO THE FULL EXTENT OF THE LAW

UNLESS OTHERWISE SPECIFIED,
DIMENSIONS ARE IN INCHES

.XX = ±.1-
.XXX = ±.015- ANGULAR = ±1°
.XXXX = ±.005- FRACTIONAL = ±1/8

THIRD ANGLE PROJECTION



DRAWN BY SHAWN CROCKER 10/13/2021
CHANGED BY SHAWN CROCKER 09/19/2024

MATERIAL
1/8 ALU MILL

PART NO. TRPL3648P REV. B

TWO DOOR RECESSED DOOR TOOL BOX - 24 X 36 X 48 - COMPRESSION
LOCK - OPEN RIGHT

SIZE A DWG. NO. D5939 REV. B1

SCALE 1:25 WEIGHT 119.22 LB SHEET 1 of 1

2

1

B

B

A

A