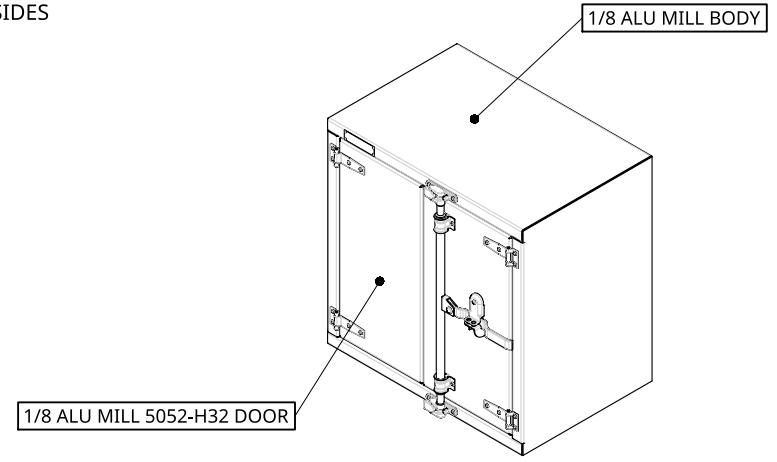
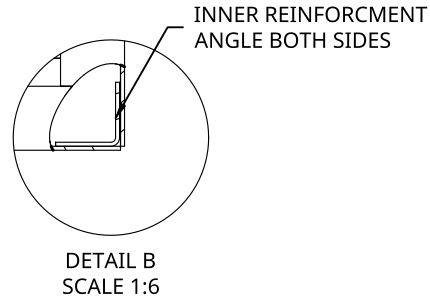
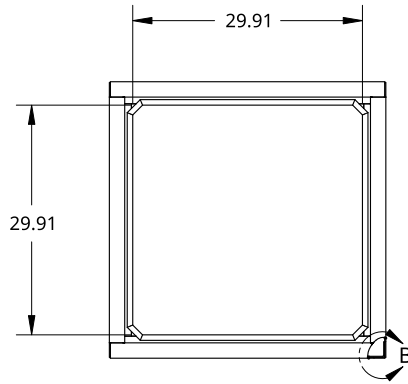
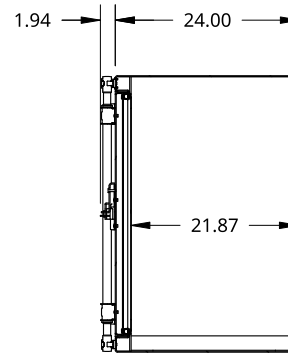
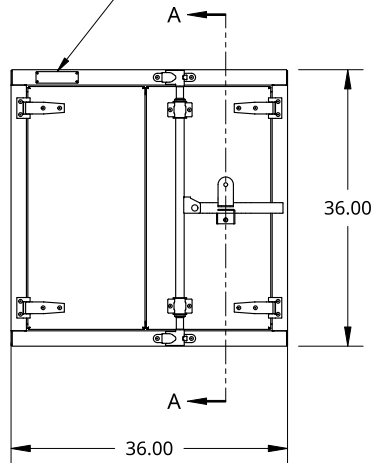


2

1



SMALL SIZE TREBOR NAME PLATE



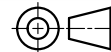
SECTION A - A

THIS DOCUMENT IS THE PROPERTY OF TREBOR MANUFACTURING. ANY UNAUTHORIZED REPRODUCTION WILL BE PROSECUTED TO THE FULL EXTENT OF THE LAW

UNLESS OTHERWISE SPECIFIED, DIMENSIONS ARE IN INCHES

.XX = ±.1- ANGULAR = ±1°
 .XXX = ±.015- FRACTIONAL = ±1/8
 .XXXX = ±.005-

THIRD ANGLE PROJECTION



DRAWN BY	SHAWN CROCKER	10/13/2021
CHANGED BY	SHAWN CROCKER	09/19/2024

MATERIAL
 1/8 ALU MILL

PART NO. TRPL3636P REV. B

TWO DOOR RECESSED DOOR TOOL BOX - 24 X 36 X 36 - COMPRESSION LOCK - OPEN RIGHT

SIZE A DWG NO. D5908 REV. B1

SCALE 1:25 WEIGHT 99.99 LB SHEET 1 of 1

2

1

B

B

A

A