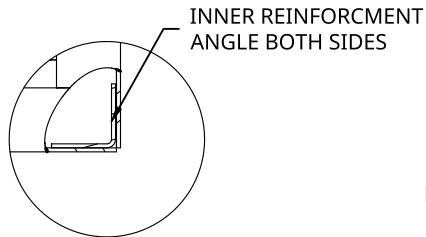
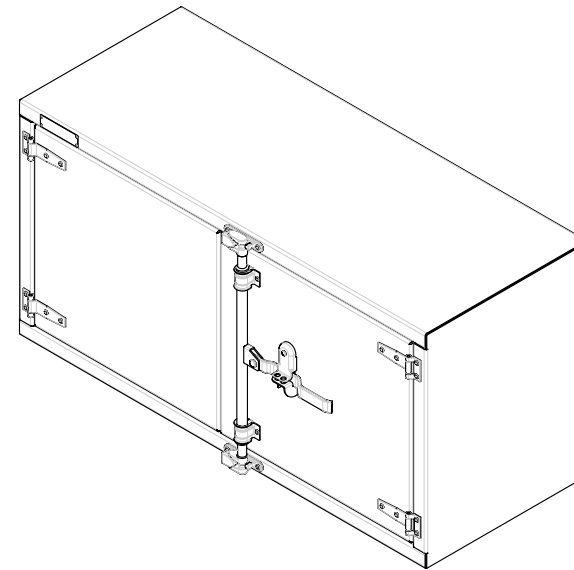
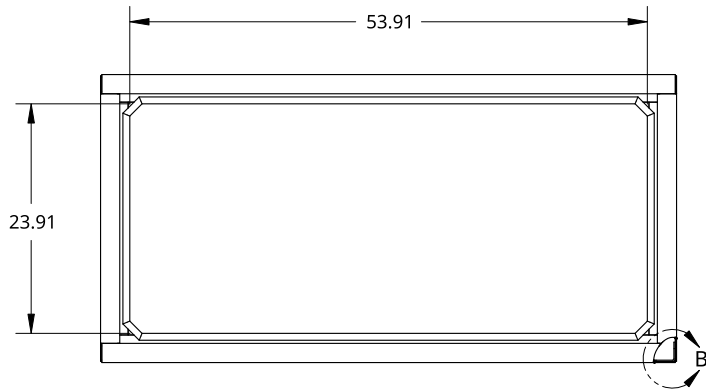


2

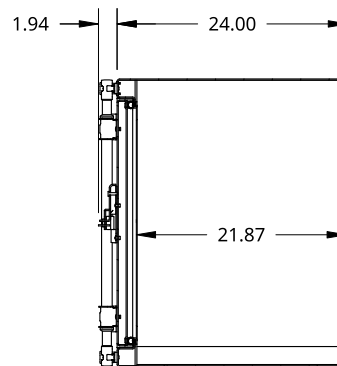
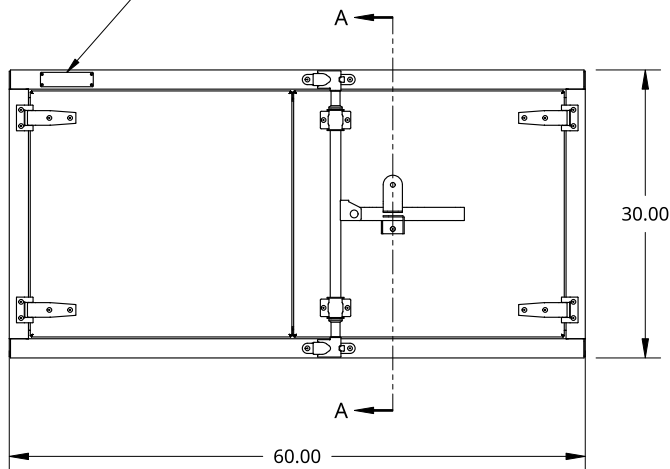
1



DETAIL B
SCALE 1:6



SMALL SIZE TREBOR NAME PLATE



SECTION A - A

THIS DOCUMENT IS THE PROPERTY OF TREBOR MANUFACTURING. ANY UNAUTHORIZED REPRODUCTION WILL BE PROSECUTED TO THE FULL EXTENT OF THE LAW

UNLESS OTHERWISE SPECIFIED, DIMENSIONS ARE IN INCHES

.XX = ±.1-
.XXX = ±.015- ANGULAR = ±1°
.XXXX = ±.005- FRACTIONAL = ±1/8

THIRD ANGLE PROJECTION



DRAWN BY	SHAWN CROCKER	10/13/2021
CHANGED BY	RAUL MANRIQUE	08/02/2022

MATERIAL
1/8 ALU MILL

PART NO. TRPL3060P REV. B

TWO DOOR RECESSED DOOR TOOL BOX - 24 X 30 X 60 - COMPRESSION LOCK - OPEN RIGHT

SIZE A DWG. NO. D5842 REV. B

SCALE	1:20	WEIGHT	124.32 LB	SHEET	1 of 1
-------	------	--------	-----------	-------	--------

2

1

B

A