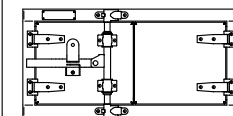


2

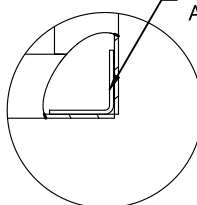
1

OTHER DOOR OPTIONS

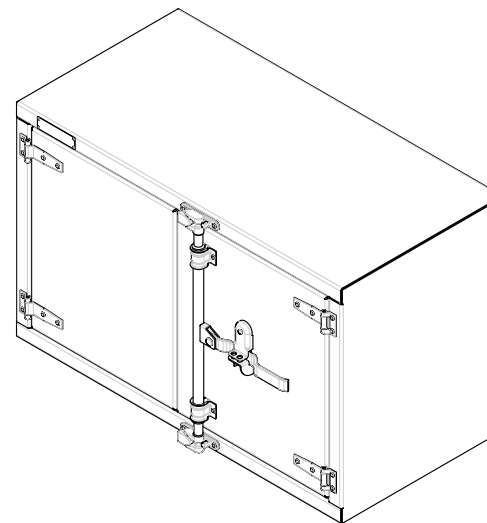
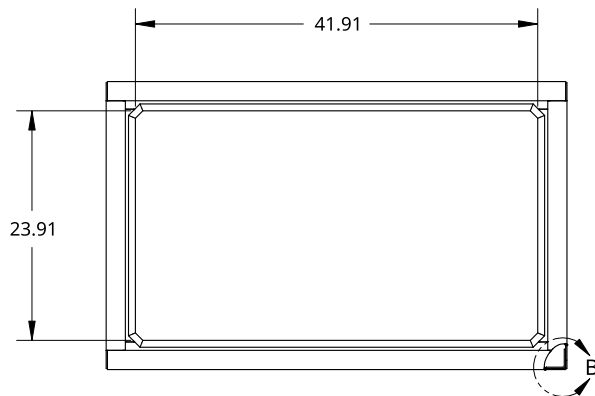


OPEN LEFT

INNER REINFORCEMENT  
ANGLE BOTH SIDES

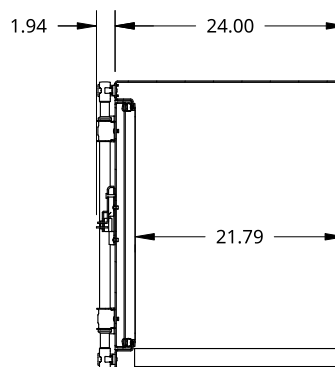
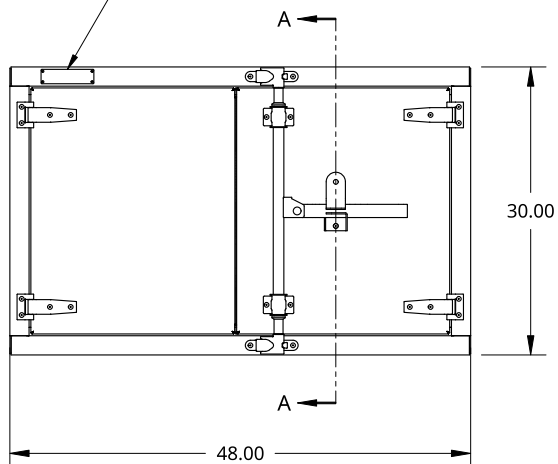


DETAIL B  
SCALE 1:6



B

SMALL SIZE TREBOR NAME PLATE



SECTION A - A

A

THIS DOCUMENT IS THE PROPERTY OF TREBOR  
MANUFACTURING. ANY UNAUTHORIZED REPRODUCTION  
WILL BE PROSECUTED TO THE FULL EXTENT OF THE LAW

UNLESS OTHERWISE SPECIFIED,  
DIMENSIONS ARE IN INCHES

.XX = ±.1-      ANGULAR = ±1°  
.XXX = ±.015-      FRACTIONAL = ±1/8  
.XXXX = ±.005-

THIRD ANGLE PROJECTION



DRAWN      SHAWN CROCKER      10/13/2021

MATERIAL

1/8 ALU MILL

PART NO. **TRPL3048P**      REV. **A1**

TWO DOOR RECESSED DOOR TOOL BOX - 24 X 30 X 48 - COMPRESSION  
LOCK - OPEN RIGHT

SIZE **A**      DWG NO. **D5813**      REV. **A1**

SCALE **1:20**      WEIGHT **106.87 LB**      SHEET **1 of 1**

2

1

B

A