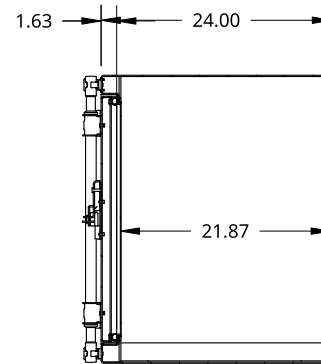
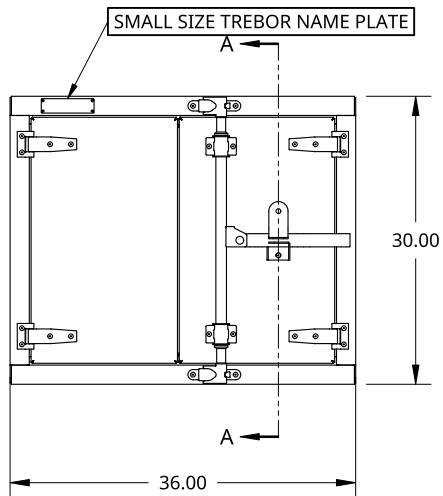
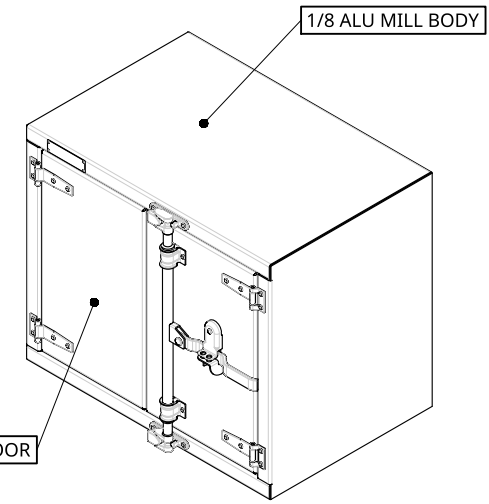
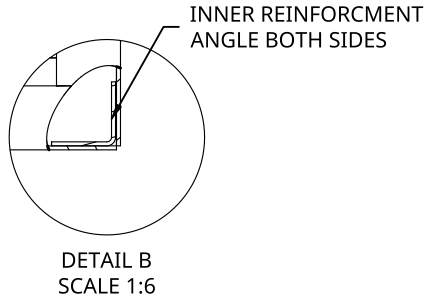
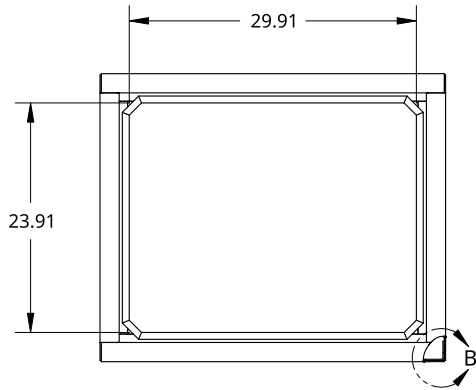


2

1



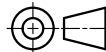
SECTION A - A

THIS DOCUMENT IS THE PROPERTY OF TREBOR MANUFACTURING. ANY UNAUTHORIZED REPRODUCTION WILL BE PROSECUTED TO THE FULL EXTENT OF THE LAW

UNLESS OTHERWISE SPECIFIED, DIMENSIONS ARE IN INCHES

.XX = ±.1-
 .XXX = ±.015- ANGULAR = ±1°
 .XXXX = ±.005- FRACTIONAL = ±1/8

THIRD ANGLE PROJECTION



DRAWN BY	SHAWN CROCKER	10/13/2021
CHANGED BY	SHAWN CROCKER	09/19/2024

MATERIAL
 1/8 ALU MILL

PART NO.	TRPL3036P	REV.	C
----------	-----------	------	---

TWO DOOR RECESSED DOOR TOOL BOX - 24 X 30 X 36 - COMPRESSION LOCK - OPEN RIGHT

SIZE	A	DWG NO.	D5795	REV.	B1
SCALE	1:20	WEIGHT	89.43 LB	SHEET	1 of 1

2

1

B

B

A

A