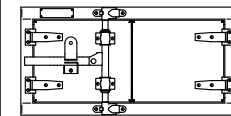


2

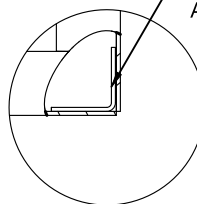
1

OTHER DOOR OPTIONS

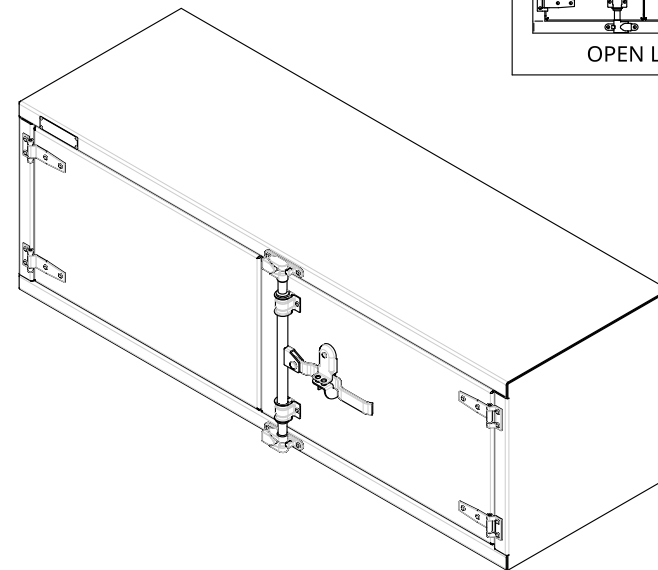
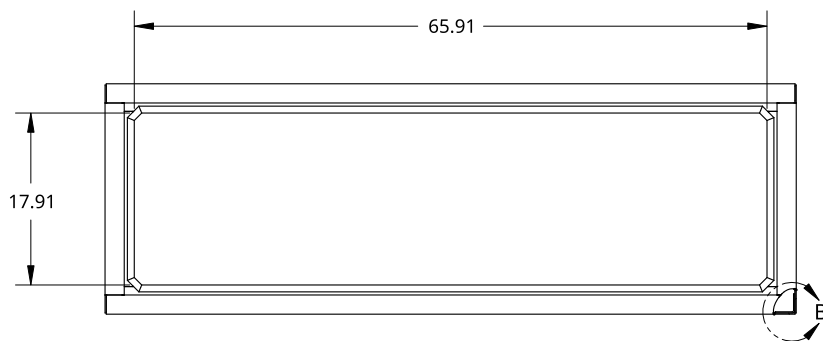


OPEN LEFT

INNER REINFORCEMENT
ANGLE BOTH SIDES



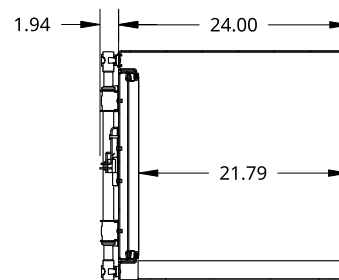
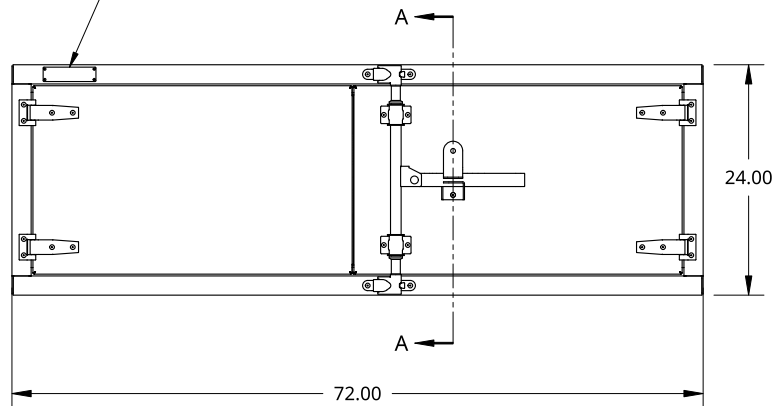
DETAIL B
SCALE 1:6



B

A

SMALL SIZE TREBOR NAME PLATE



SECTION A - A

THIS DOCUMENT IS THE PROPERTY OF TREBOR
MANUFACTURING. ANY UNAUTHORIZED REPRODUCTION
WILL BE PROSECUTED TO THE FULL EXTENT OF THE LAW

UNLESS OTHERWISE SPECIFIED,
DIMENSIONS ARE IN INCHES

.XX = ±.1-
.XXX = ±.015-
.XXXX = ±.005-
ANGULAR = ±1°
FRACTIONAL = ±1/8

THIRD ANGLE PROJECTION



DRAWN SHAWN CROCKER 10/13/2021

MATERIAL

1/8 ALU MILL

PART NO. TRPL2472P REV. A1

TWO DOOR RECESSED DOOR TOOL BOX - 24 X 24 X 72 - COMPRESSION
LOCK - OPEN RIGHT

SIZE A DWG. NO. D5776 REV. A1

SCALE 1:20 WEIGHT 124.9 LB SHEET 1 of 1

2

1

B

A