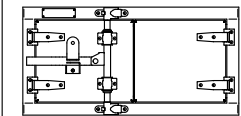


2

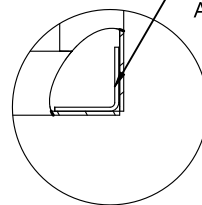
1

OTHER DOOR OPTIONS

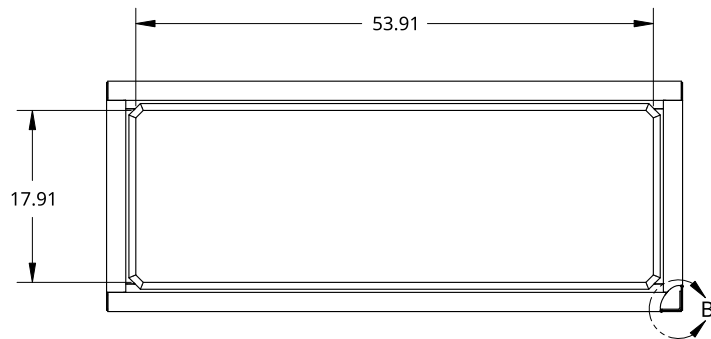
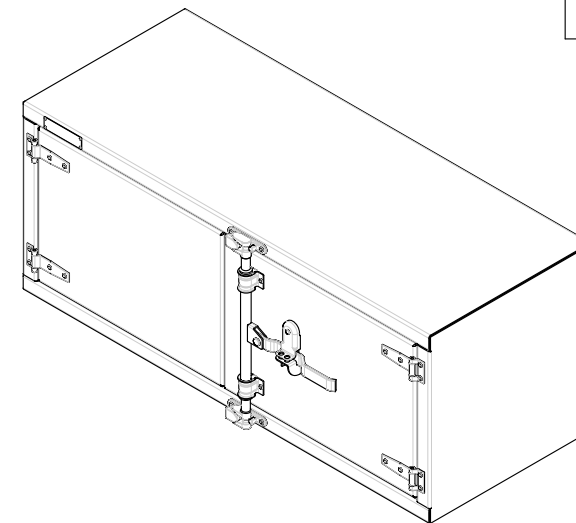


OPEN LEFT

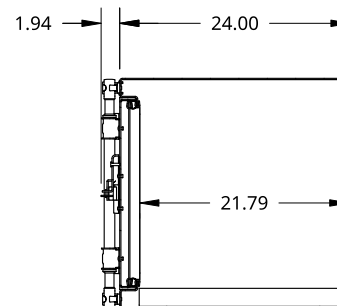
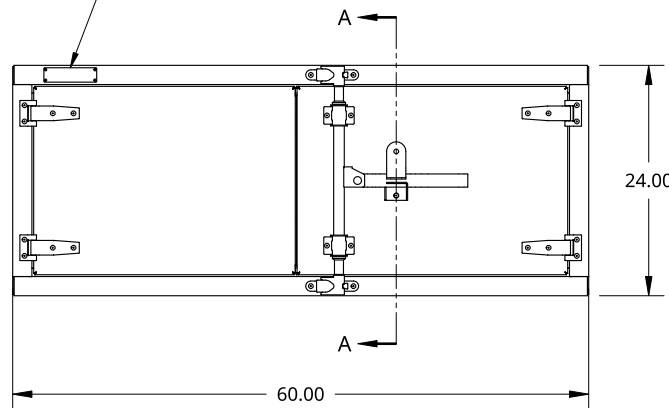
INNER REINFORCEMENT  
ANGLE BOTH SIDES



DETAIL B  
SCALE 1:6



SMALL SIZE TREBOR NAME PLATE



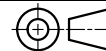
SECTION A - A

THIS DOCUMENT IS THE PROPERTY OF TREBOR  
MANUFACTURING. ANY UNAUTHORIZED REPRODUCTION  
WILL BE PROSECUTED TO THE FULL EXTENT OF THE LAW

UNLESS OTHERWISE SPECIFIED,  
DIMENSIONS ARE IN INCHES

.XX = ±.1-  
.XXX = ±.015- ANGULAR = ±1°  
.XXXX = ±.005- FRACTIONAL = ±1/8

THIRD ANGLE PROJECTION



DRAWN SHAWN CROCKER 10/13/2021

MATERIAL  
1/8 ALU MILL

PART NO. TRPL2460P REV. A1

TWO DOOR RECESSED DOOR TOOL BOX - 24 X 24 X 60 - COMPRESSION  
LOCK - OPEN RIGHT

SIZE A DWG NO. D5758 REV. A1

SCALE 1:20 WEIGHT 110.21 LB SHEET 1 of 1

2

1

B

A

B

A