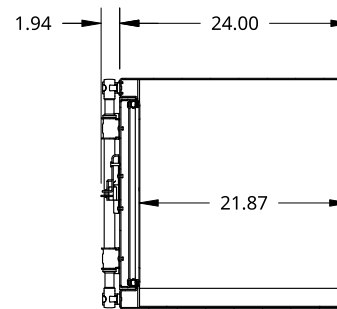
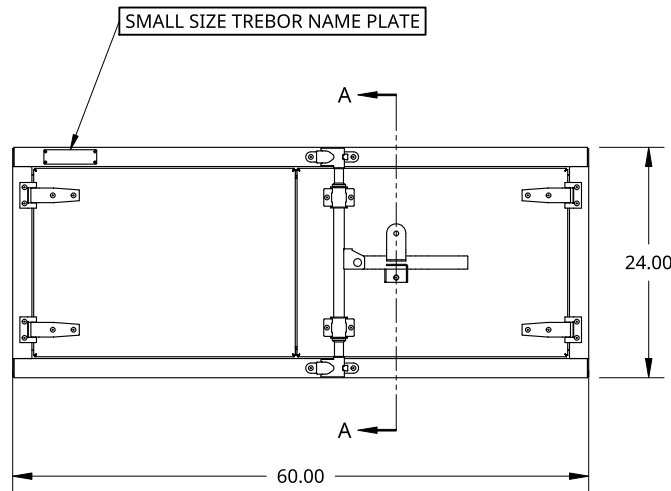
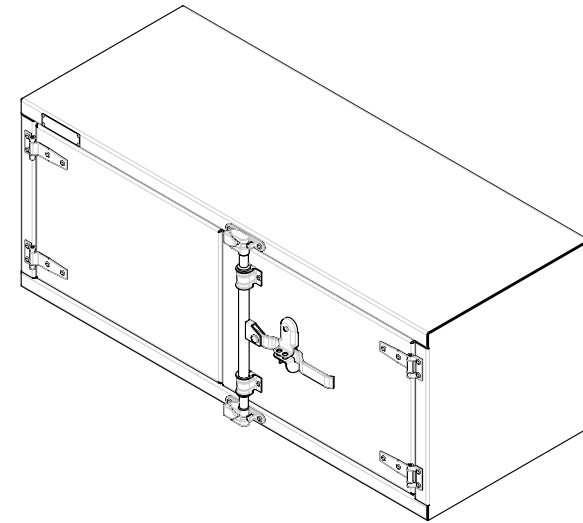
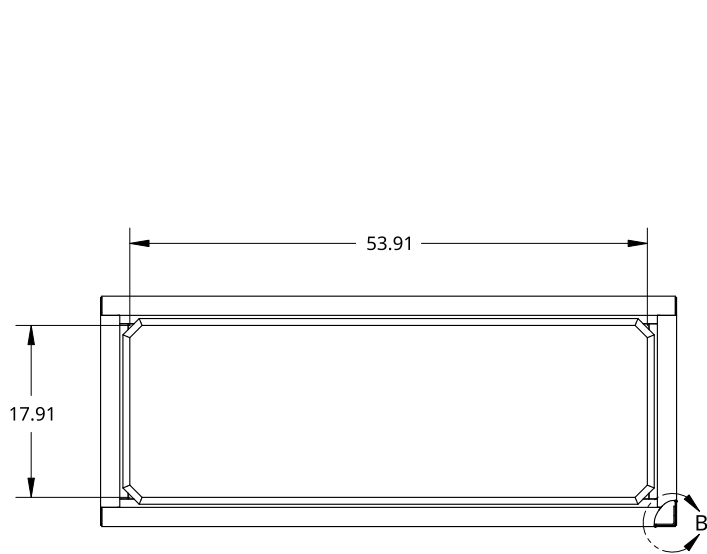


2

1



SECTION A - A

<small>THIS DOCUMENT IS THE PROPERTY OF TREBOR MANUFACTURING. ANY UNAUTHORIZED REPRODUCTION WILL BE PROSECUTED TO THE FULL EXTENT OF THE LAW</small> <small>UNLESS OTHERWISE SPECIFIED, DIMENSIONS ARE IN INCHES</small> <small>.XX = ±.1- ANGULAR = ±1°</small> <small>.XXX = ±.015- FRACTIONAL = ±1/8</small> <small>.XXXX = ±.005-</small>			PART NO. TRPL2460P	REV. B
	DRAWN BY SHAWN CROCKER 10/13/2021 CHANGED BY RAUL MANRIQUE 08/02/2022	TWO DOOR RECESSED DOOR TOOL BOX - 24 X 24 X 60 - COMPRESSION LOCK - OPEN RIGHT		
THIRD ANGLE PROJECTION 	MATERIAL 1/8 ALU MILL		SIZE A DWG NO. D5758	REV. B
	SCALE 1:20	WEIGHT 110.21 LB	SHEET 1 of 1	

2

1

B

A

B

A