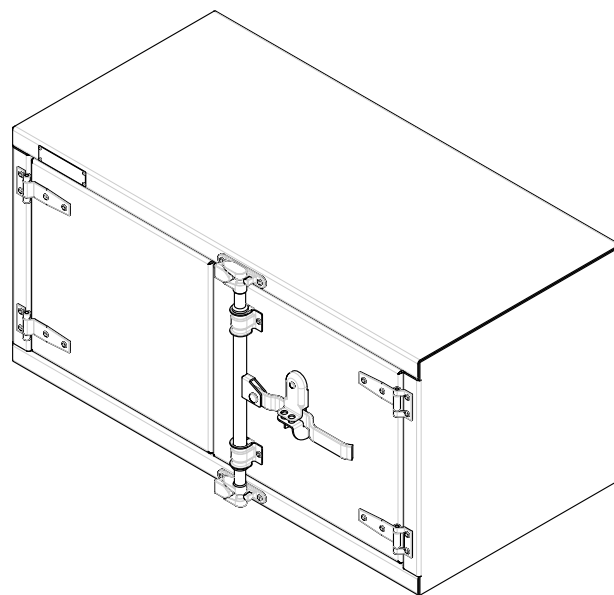
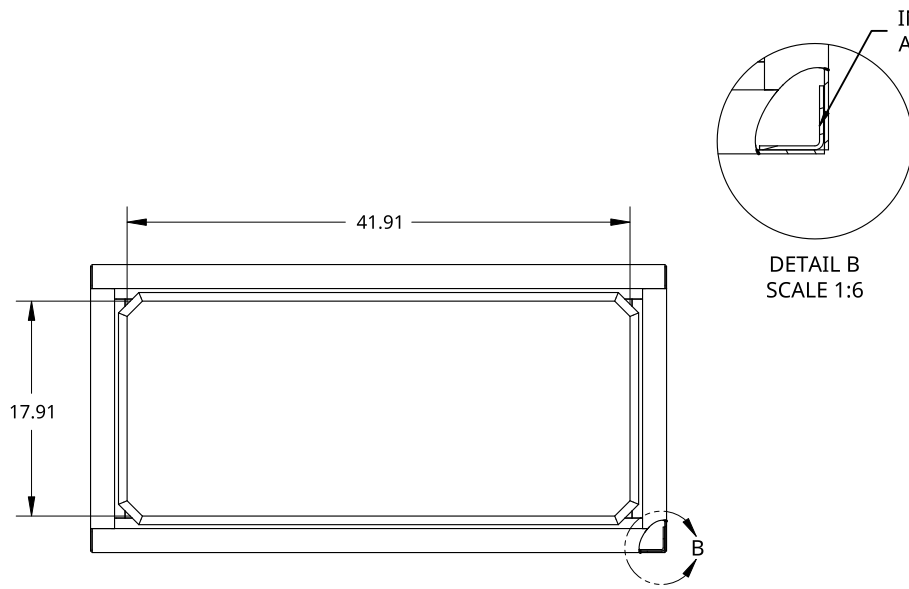


2

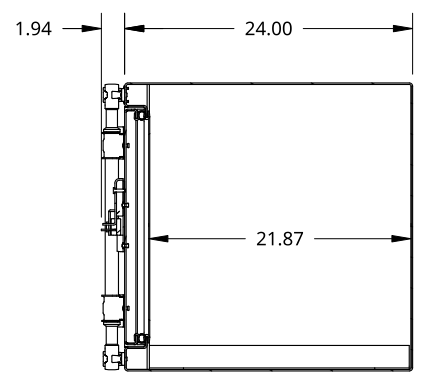
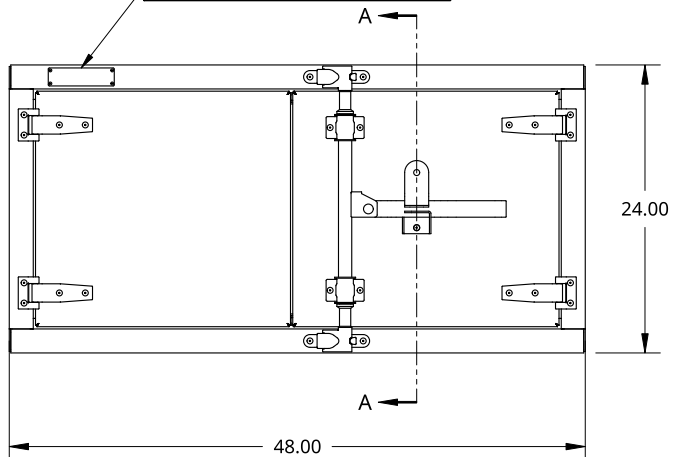
1

B



B



SMALL SIZE TREBOR NAME PLATE



SECTION A - A

A

A

<small>THIS DOCUMENT IS THE PROPERTY OF TREBOR MANUFACTURING. ANY UNAUTHORIZED REPRODUCTION WILL BE PROSECUTED TO THE FULL EXTENT OF THE LAW</small>				PART NO. <b>TRPL2448P</b>	REV. <b>C</b>
<small>UNLESS OTHERWISE SPECIFIED, DIMENSIONS ARE IN INCHES .XX = ±.1- .XXX = ±.015- .XXXX = ±.005-</small>		<small>ANGULAR = ±1° FRACTIONAL = ±1/8</small>	DRAWN BY SHAWN CROCKER 10/13/2021 CHANGED BY RAUL MANRIQUE 08/02/2022	TWO DOOR RECESSED DOOR TOOL BOX - 24 X 24 X 48 - COMPRESSION LOCK - OPEN RIGHT	
THIRD ANGLE PROJECTION		MATERIAL <b>1/8 ALU MILL</b>		SIZE <b>A</b>	DWG NO. <b>D5740</b>
				SCALE <b>1:16</b>	WEIGHT <b>94.54 LB</b>
				SHEET <b>1 of 1</b>	REV. <b>B</b>

2

1