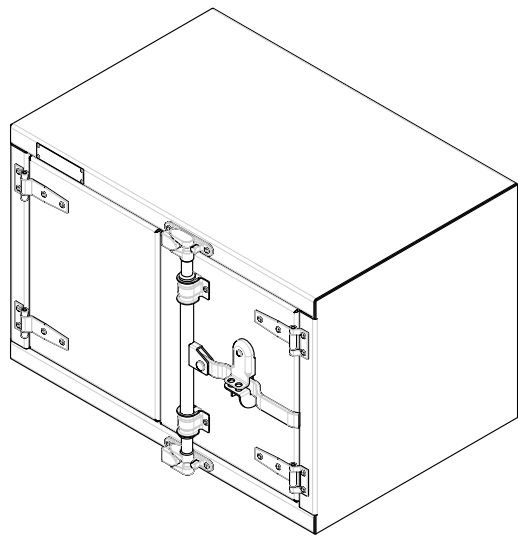
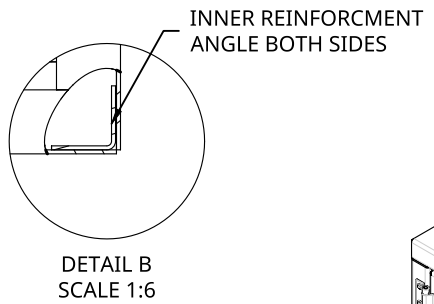
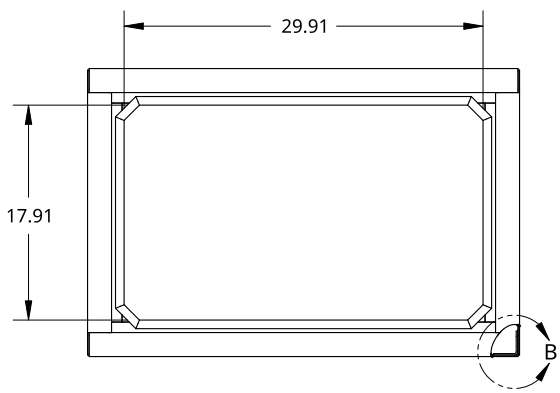


2

1

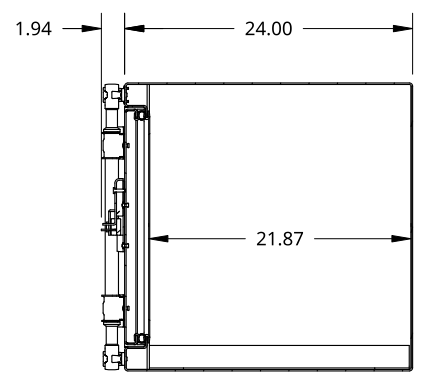
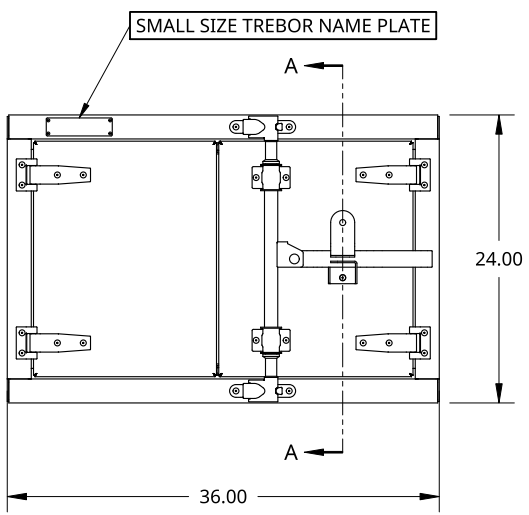
B

B





A

A



SECTION A - A

<small>THIS DOCUMENT IS THE PROPERTY OF TREBOR MANUFACTURING. ANY UNAUTHORIZED REPRODUCTION WILL BE PROSECUTED TO THE FULL EXTENT OF THE LAW</small>				PART NO. TRPL2436P	REV. B
<small>UNLESS OTHERWISE SPECIFIED, DIMENSIONS ARE IN INCHES</small> <small>.XX = ±.1- ANGULAR = ±1°</small> <small>.XXX = ±.015- FRACTIONAL = ±1/8</small> <small>.XXXX = ±.005- DECIMAL = ±.001</small>		<small>DRAWN BY</small> SHAWN CROCKER 10/13/2021 <small>CHANGED BY</small> RAUL MANRIQUE 08/02/2022	TWO DOOR RECESSED DOOR TOOL BOX - 24 X 24 X 36 - COMPRESSION LOCK - OPEN RIGHT		
<small>THIRD ANGLE PROJECTION</small> 		<small>MATERIAL</small> 1/8 ALU MILL		<small>SIZE</small> A <small>DWG NO.</small> D5710	<small>REV.</small> B
		<small>SCALE</small> 1:16	<small>WEIGHT</small> 78.86 LB	<small>SHEET</small> 1 of 1	

2

1