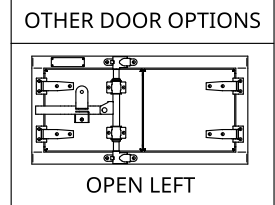
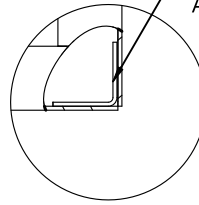


2

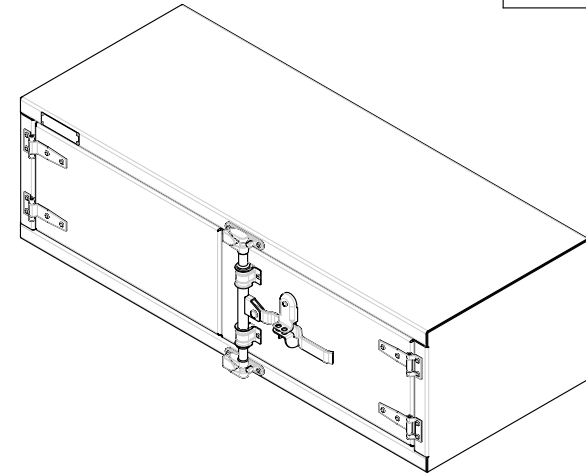
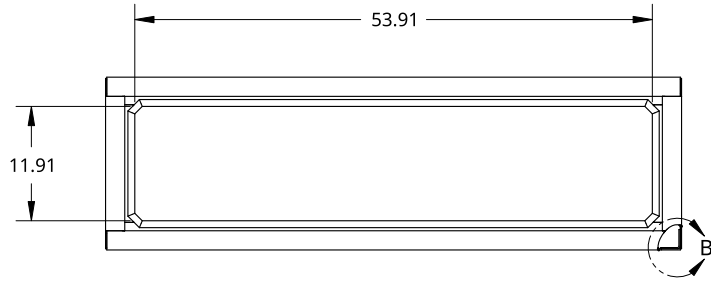
1



INNER REINFORCEMENT
ANGLE BOTH SIDES

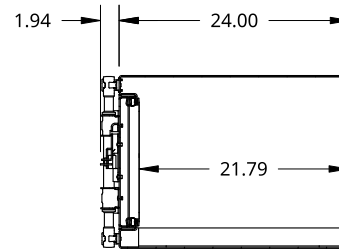
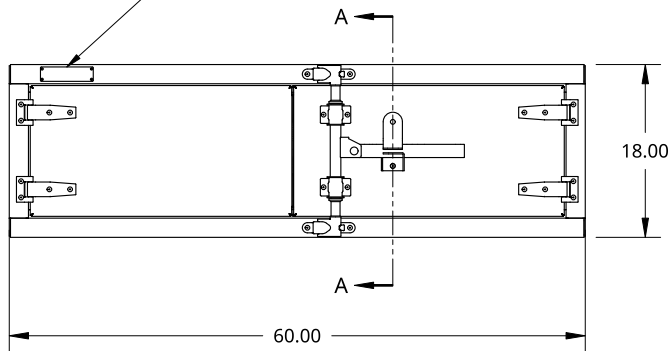


DETAIL B
SCALE 1:6



B

SMALL SIZE TREBOR NAME PLATE



SECTION A - A

A

<small>THIS DOCUMENT IS THE PROPERTY OF TREBOR MANUFACTURING. ANY UNAUTHORIZED REPRODUCTION WILL BE PROSECUTED TO THE FULL EXTENT OF THE LAW</small>				PART NO. TRPL1860P	REV. A1
<small>UNLESS OTHERWISE SPECIFIED, DIMENSIONS ARE IN INCHES .XX = ±.1- .XXX = ±.015- .XXXX = ±.005-</small>		<small>ANGULAR = ±1° FRACTIONAL = ±1/8</small>		TWO DOOR RECESSED DOOR TOOL BOX - 24 X 18 X 60 - COMPRESSION LOCK - OPEN RIGHT	
DRAWN SHAWN CROCKER	10/13/2021	SIZE A	DWG NO. D5692	REV. A1	
THIRD ANGLE PROJECTION 		MATERIAL 1/8 ALU MILL	SCALE 1:20	WEIGHT 96.08 LB	SHEET 1 of 1

2

1

B

A