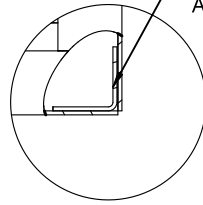


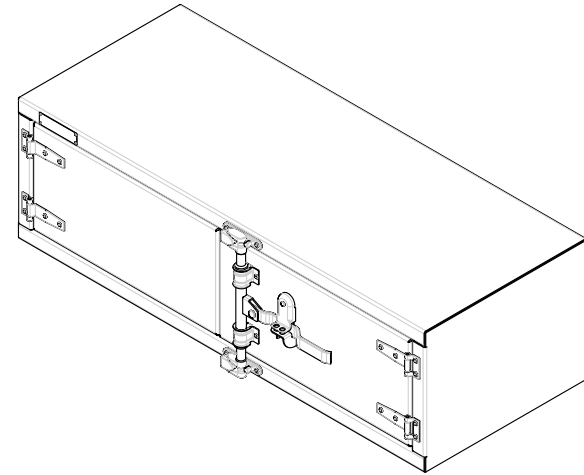
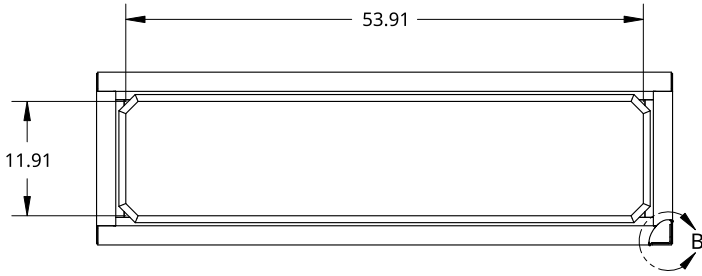
2

1

INNER REINFORCMENT
ANGLE BOTH SIDES

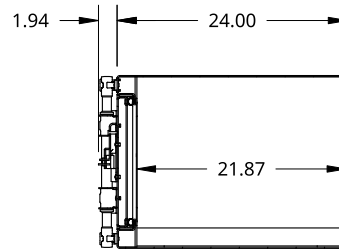
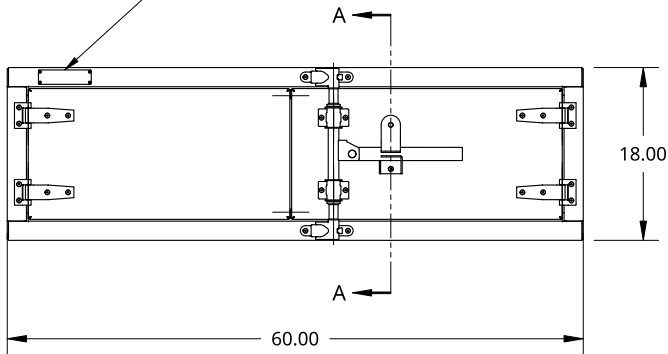


DETAIL B
SCALE 1:6



B

SMALL SIZE TREBOR NAME PLATE



SECTION A - A

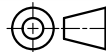
A

THIS DOCUMENT IS THE PROPERTY OF TREBOR
MANUFACTURING. ANY UNAUTHORIZED REPRODUCTION
WILL BE PROSECUTED TO THE FULL EXTENT OF THE LAW

UNLESS OTHERWISE SPECIFIED,
DIMENSIONS ARE IN INCHES

.XX = ±.1-
.XXX = ±.015- ANGULAR = ±1°
.XXXX = ±.005- FRACTIONAL = ±1/8

THIRD ANGLE PROJECTION



DRAWN BY SHAWN CROCKER 10/13/2021
CHANGED BY RAUL MANRIQUE 08/02/2022

MATERIAL
1/8 ALU MILL

PART NO. TRPL1860P REV. B

TWO DOOR RECESSED DOOR TOOL BOX - 24 X 18 X 60 - COMPRESSION
LOCK - OPEN RIGHT

SIZE A DWG NO. D5692 REV. B

SCALE 1:20 WEIGHT 96.08 LB SHEET 1 of 1

2

1