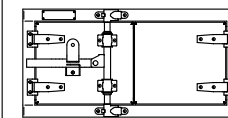


2

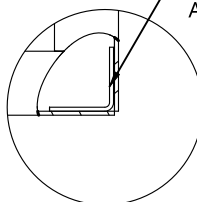
1

OTHER DOOR OPTIONS

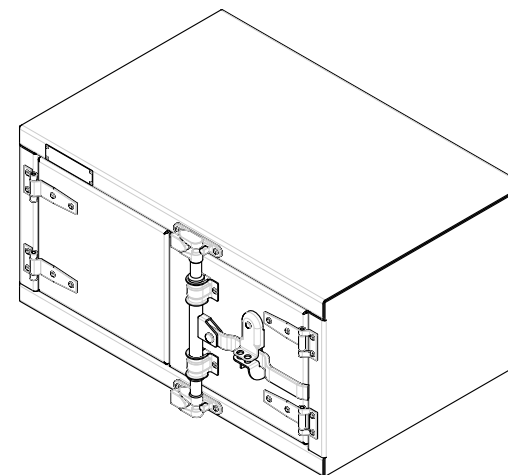
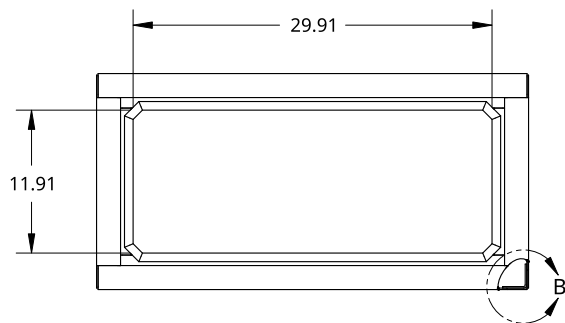


OPEN LEFT

INNER REINFORCEMENT  
ANGLE BOTH SIDES

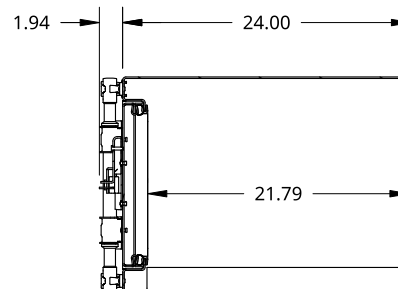
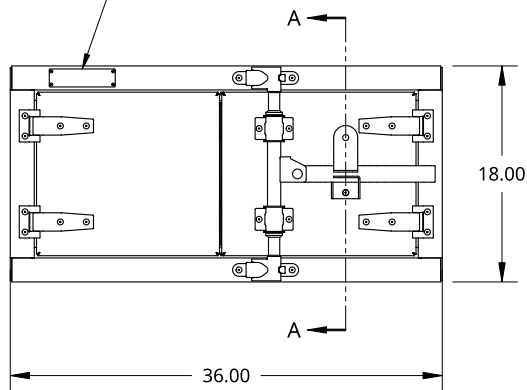


DETAIL B  
SCALE 1:6



B

SMALL SIZE TREBOR NAME PLATE



SECTION A - A

A

THIS DOCUMENT IS THE PROPERTY OF TREBOR MANUFACTURING. ANY UNAUTHORIZED REPRODUCTION WILL BE PROSECUTED TO THE FULL EXTENT OF THE LAW				PART NO.	TRPL1836P	REV.	A1	
UNLESS OTHERWISE SPECIFIED, DIMENSIONS ARE IN INCHES .XX = ±.1- .XXX = ±.015- .XXXX = ±.005-		ANGULAR = ±1° FRACTIONAL = ±1/8		TWO DOOR RECESSED DOOR TOOL BOX - 24 X 18 X 36 - COMPRESSION LOCK - OPEN RIGHT				
DRAWN	SHAWN CROCKER	10/13/2021	SIZE		A	DWG. NO. D5543		
THIRD ANGLE PROJECTION			MATERIAL		REV. A1			
			1/8 ALU MILL		SCALE	1:16	WEIGHT	68.3 LB
					SHEET	1 of 1		

2

1

B

A