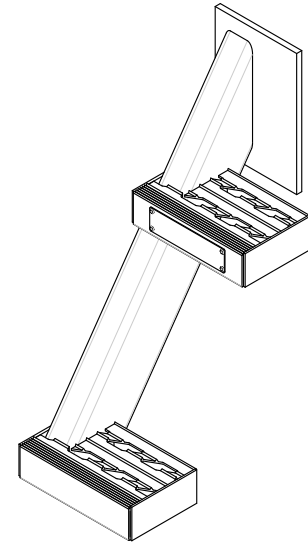
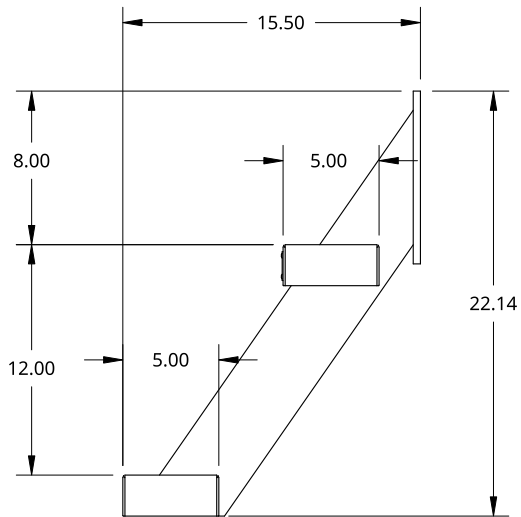
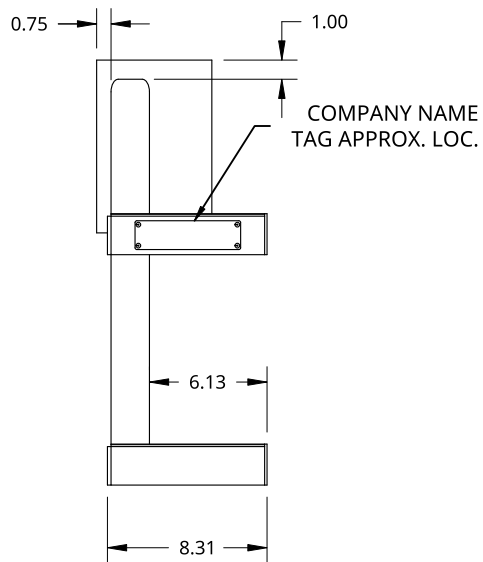


2

1



B

B



A

A

<small>THIS DOCUMENT IS THE PROPERTY OF TREBOR MANUFACTURING. ANY UNAUTHORIZED REPRODUCTION WILL BE PROSECUTED TO THE FULL EXTENT OF THE LAW</small>				PART NO. TRNLRS		REV. D
<small>UNLESS OTHERWISE SPECIFIED, DIMENSIONS ARE IN INCHES .XX = ±.1- .XXX = ±.015- .XXXX = ±.005-</small>		<small>ANGULAR = ±1° FRACTIONAL = ±1/8</small>		SINGLE BEAM FRAME STEP WITH STEPS OFFSET TO THE RIGHT		
THIRDS ANGLE PROJECTION 		DRAWN SHAWN CROCKER	04/16/2021	SIZE A	DWG NO. D4850	REV. B
MATERIAL ALUM. 6061-T6		SCALE 1:10	WEIGHT 8.38 LB	SHEET 1 of 1		

2

1