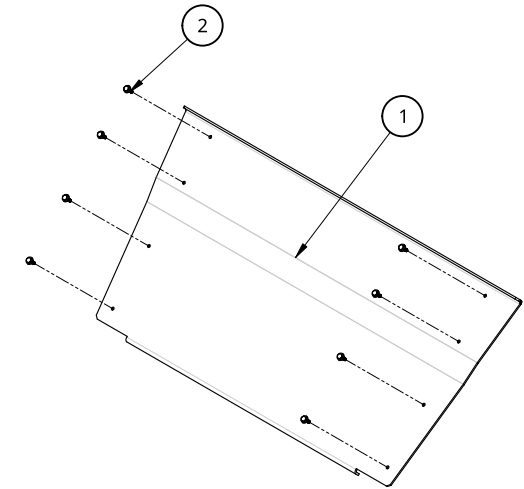
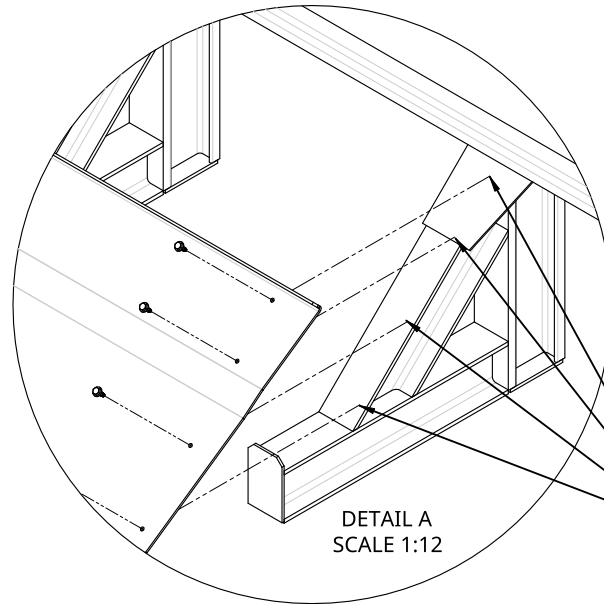
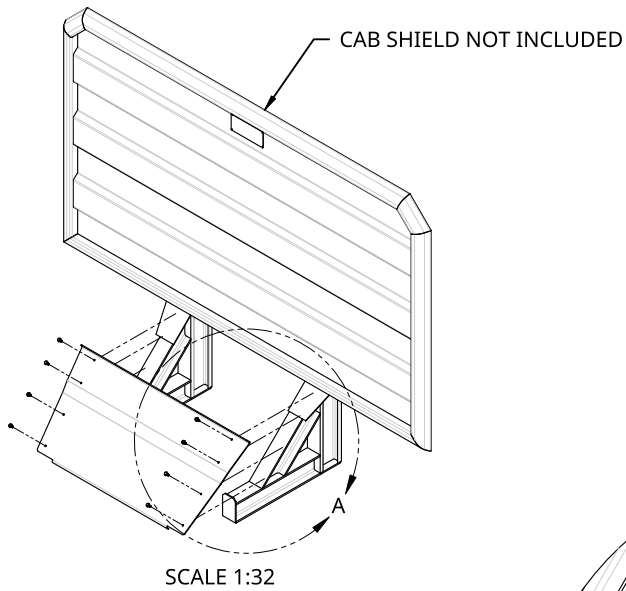




2

1

ITM	PART NUMBER	QTY	UOM	DESCRIPTION	MATERIAL
1	P0573	1	EACH	REGULAR LEG COVER FOR STANDARD CAB SHIELD - 33.5IN LEG SPREAD	1/8 ALU CHECKER
2	P24045	8	EACH	THREAD CUTTING BOLT - HEX HEAD WITH HEAD FLANGE - 1/4-20 X 0.75	STAINLESS STEEL



1
7/32IN HOLE NEEDS TO BE DRILLED
IN LEG FOR PROPER THREAD
TAPPING BOLT ENGAGEMENT

<small>THIS DOCUMENT IS THE PROPERTY OF TREBOR MANUFACTURING. ANY UNAUTHORIZED REPRODUCTION WILL BE PROSECUTED TO THE FULL EXTENT OF THE LAW</small>				PART NO. TRLC		REV. F
<small>UNLESS OTHERWISE SPECIFIED, DIMENSIONS ARE IN INCHES .XX = ±.1- .XXX = ±.015- .XXXX = ±.005-</small>				<small>DRAWN BY SHAWN CROCKER 07/26/2021 CHANGED BY SHAWN CROCKER 11/29/2022</small>		LEG COVER KIT - STANDARD LEG - STANDARD CAB SHIELD
<small>THIRD ANGLE PROJECTION</small> 		MATERIAL 1/8 ALU CHECKER		SIZE A	DWG NO. D8881	REV. A
		SCALE 1:16	WEIGHT 9.14 LB	SHEET 1 of 1		

2

1

B

B

A

A