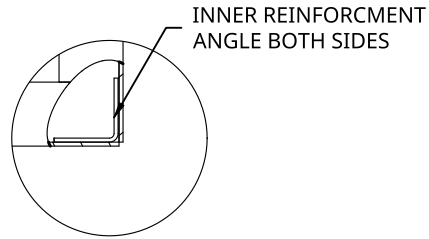
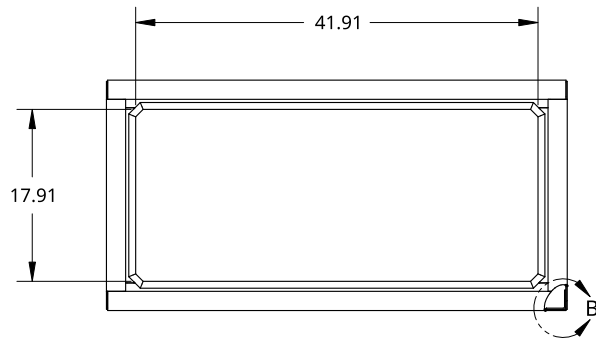
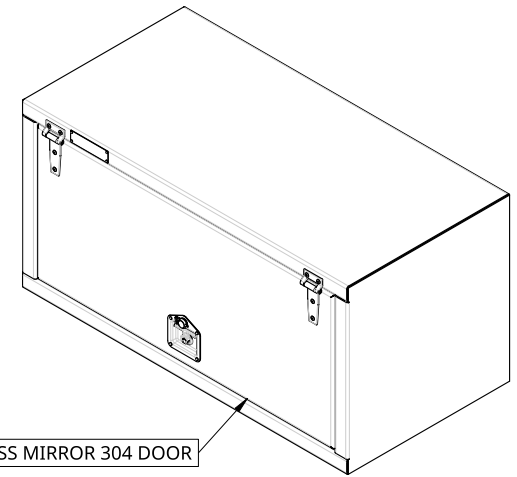


2

1

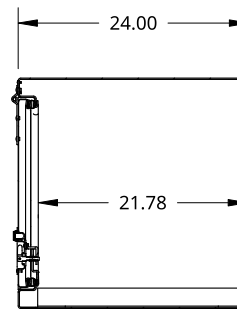
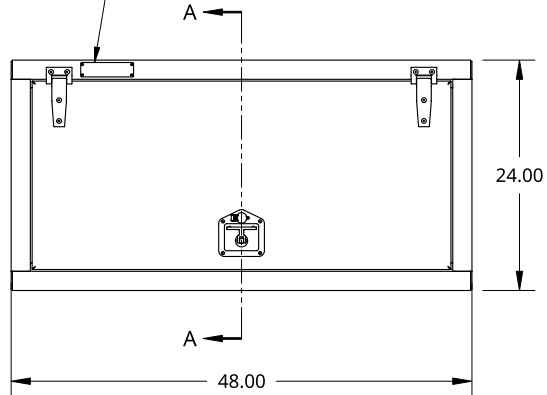


DETAIL B  
SCALE 1:6



18G SS MIRROR 304 DOOR

SMALL SIZE TREBOR NAME PLATE



SECTION A - A

<small>THIS DOCUMENT IS THE PROPERTY OF TREBOR MANUFACTURING. ANY UNAUTHORIZED REPRODUCTION WILL BE PROSECUTED TO THE FULL EXTENT OF THE LAW</small>				PART NO. <b>TRIDPLSS2448U</b>	REV. <b>A</b>		
<small>UNLESS OTHERWISE SPECIFIED, DIMENSIONS ARE IN INCHES .XX = ±.1- .XXX = ±.015- .XXXX = ±.005- ANGULAR = ±1° FRACTIONAL = ±1/8</small>		DRAWN	SHAWN CROCKER	10/18/2021	ONE DOOR RECESSED DOOR TOOL BOX - 24 X 24 X 48 - 18G SS MIRROR DOOR - X1 T-HANDLE - OPEN UP		
THIRD ANGLE PROJECTION 		MATERIAL <b>1/8 ALU MILL</b>			SIZE <b>A</b>	DWG. NO. <b>D12509</b>	REV. <b>A</b>
		SCALE <b>1:20</b>	WEIGHT <b>87 LB</b>	SHEET <b>1 of 1</b>			

2

1

B

B

A

A