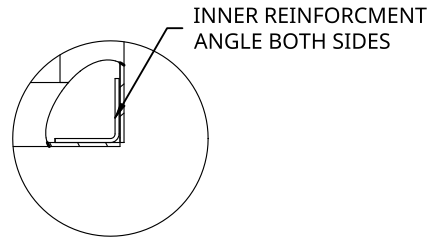
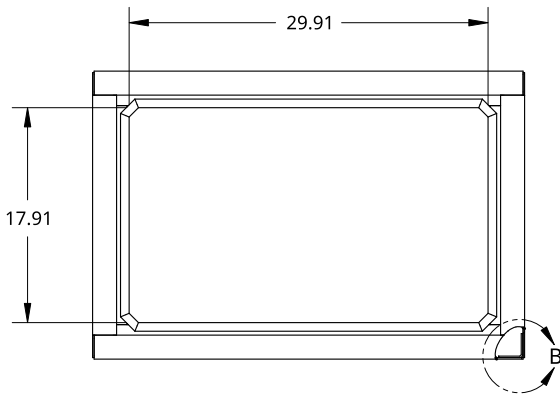
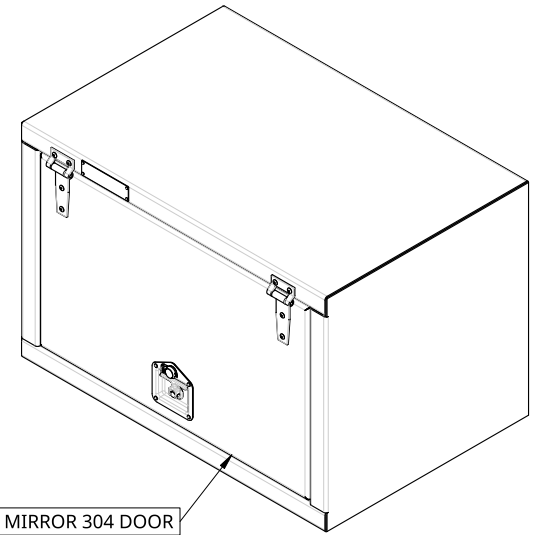


2

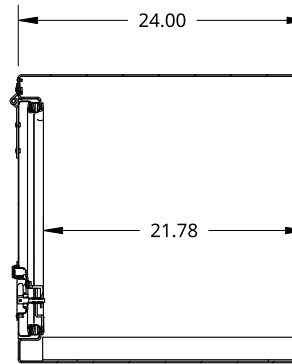
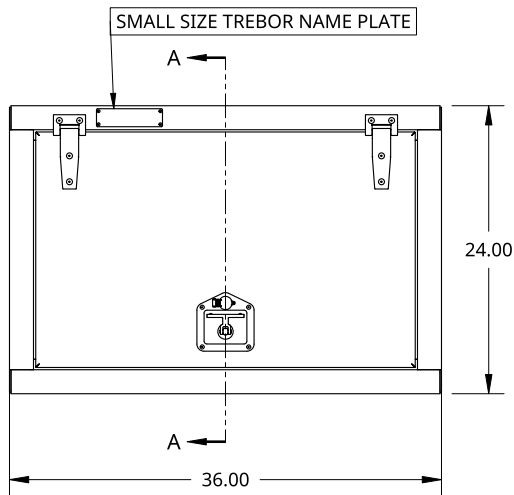
1



DETAIL B
SCALE 1:6



18G SS MIRROR 304 DOOR



SECTION A - A

<small>THIS DOCUMENT IS THE PROPERTY OF TREBOR MANUFACTURING. ANY UNAUTHORIZED REPRODUCTION WILL BE PROSECUTED TO THE FULL EXTENT OF THE LAW</small>				PART NO. TRIDPLSS2436U		REV. A
<small>UNLESS OTHERWISE SPECIFIED, DIMENSIONS ARE IN INCHES .XX = ±.1- .XXX = ±.015- .XXXX = ±.005- ANGULAR = ±1° FRACTIONAL = ±1/8</small>		DRAWN SHAWN CROCKER 10/18/2021		ONE DOOR RECESSED DOOR TOOL BOX - 24 X 24 X 36 - 18G SS MIRROR DOOR - X1 T-HANDLE - OPEN UP		
THIRD ANGLE PROJECTION 		MATERIAL 1/8 ALU MILL		SIZE A DWG NO. D12506		REV. A
				SCALE 1:16	WEIGHT 67.99 LB	SHEET 1 of 1

2

1

B

B

A

A