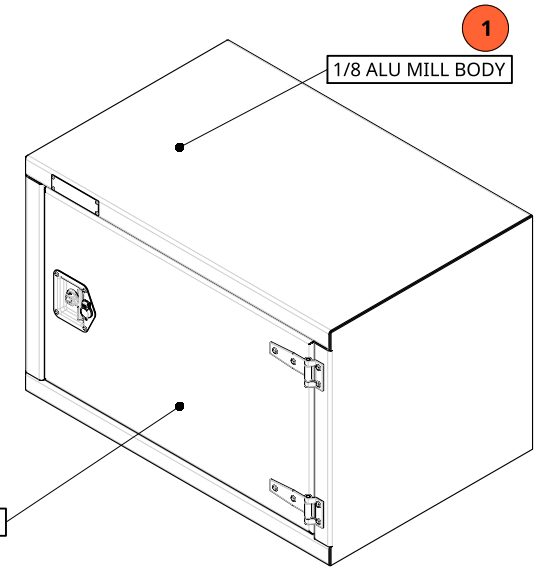
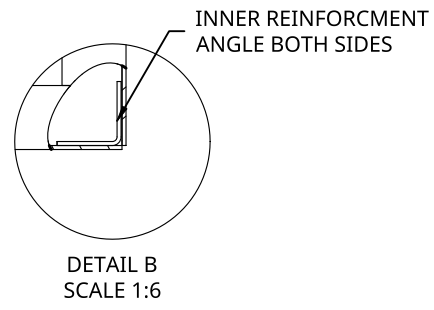
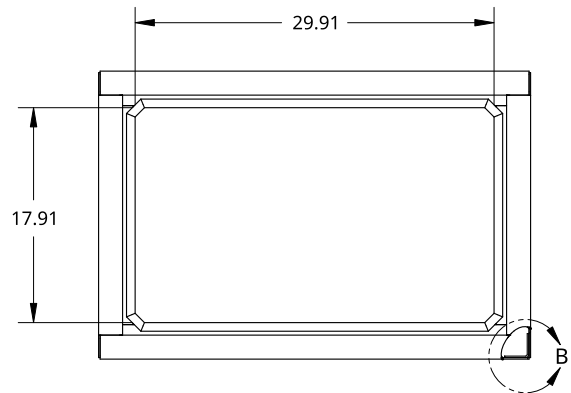
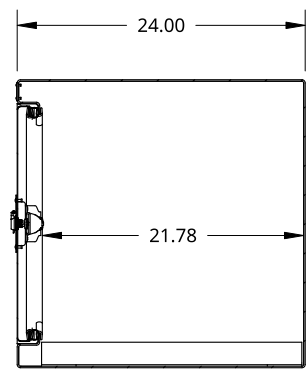
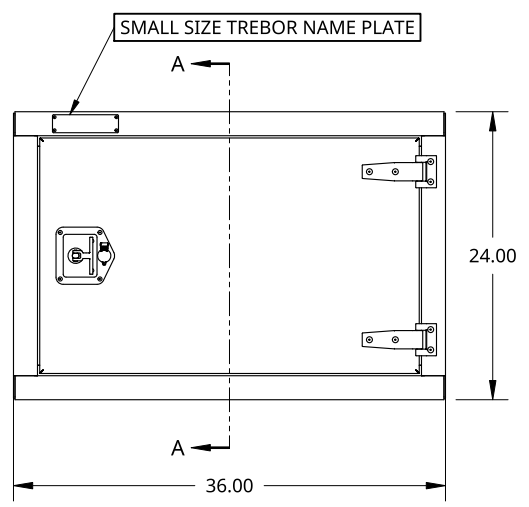


B



B

A



SECTION A - A

A

<small>THIS DOCUMENT IS THE PROPERTY OF TREBOR MANUFACTURING. ANY UNAUTHORIZED REPRODUCTION WILL BE PROSECUTED TO THE FULL EXTENT OF THE LAW</small>				PART NO. TRIDPLSS2436R		REV. A
<small>UNLESS OTHERWISE SPECIFIED, DIMENSIONS ARE IN INCHES .XX = ±.1- .XXX = ±.015- .XXXX = ±.005- ANGULAR = ±1° FRACTIONAL = ±1/8</small>		DRAWN	SHAWN CROCKER	10/18/2021	ONE DOOR RECESSED DOOR TOOL BOX - 24 X 24 X 36 - 18G SS MIRROR DOOR - X1 T-HANDLE - OPEN RIGHT	
THIRD ANGLE PROJECTION 		MATERIAL 1/8 ALU MILL		SIZE A	DWG NO. D12505	REV. A1
		SCALE 1:16	WEIGHT 67.99 LB	SHEET 1 of 1		

2

1