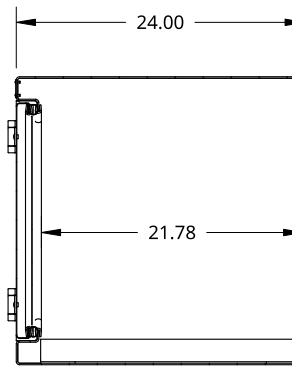
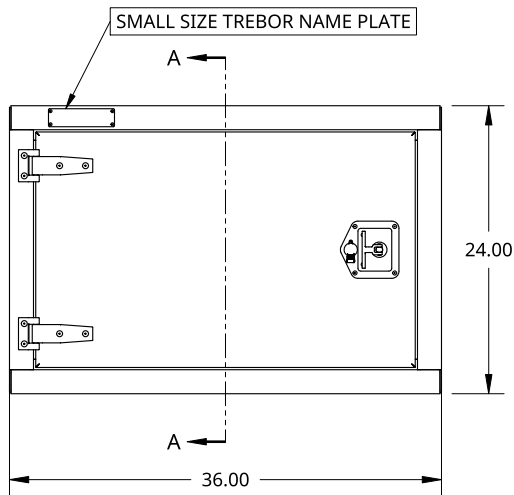
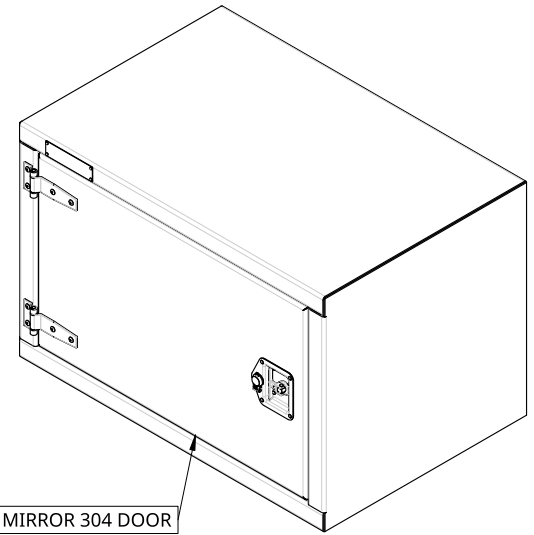
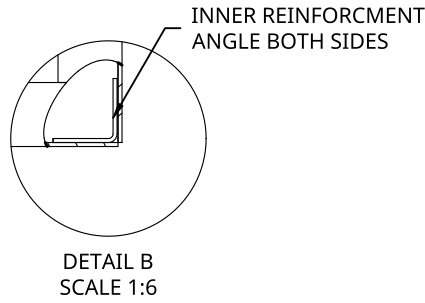
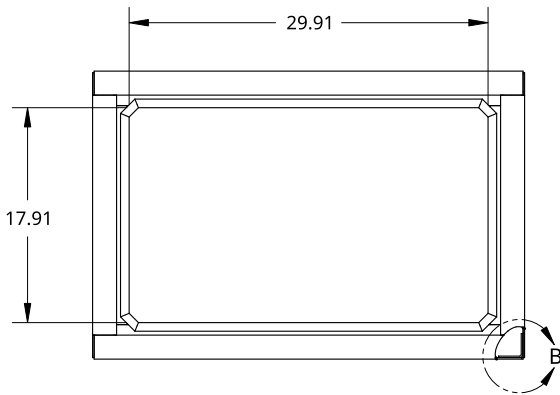


2

1



SECTION A - A

<small>THIS DOCUMENT IS THE PROPERTY OF TREBOR MANUFACTURING. ANY UNAUTHORIZED REPRODUCTION WILL BE PROSECUTED TO THE FULL EXTENT OF THE LAW</small>				PART NO. TRIDPLSS2436L	REV. A
<small>UNLESS OTHERWISE SPECIFIED, DIMENSIONS ARE IN INCHES .XX = ±.1- .XXX = ±.015- .XXXX = ±.005- ANGULAR = ±1° FRACTIONAL = ±1/8</small>		<small>DRAWN SHAWN CROCKER 10/18/2021</small>		ONE DOOR RECESSED DOOR TOOL BOX - 24 X 24 X 36 - 18G SS MIRROR DOOR - X1 T-HANDLE - OPEN LEFT	
<small>THIRD ANGLE PROJECTION</small>		MATERIAL 1/8 ALU MILL		SIZE A	DWG NO. D12504
		SCALE 1:16	WEIGHT 67.99 LB	SHEET 1 of 1	REV. A

2

1

B

B

A

A