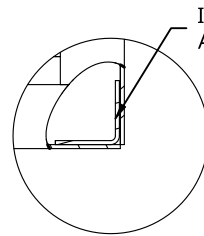
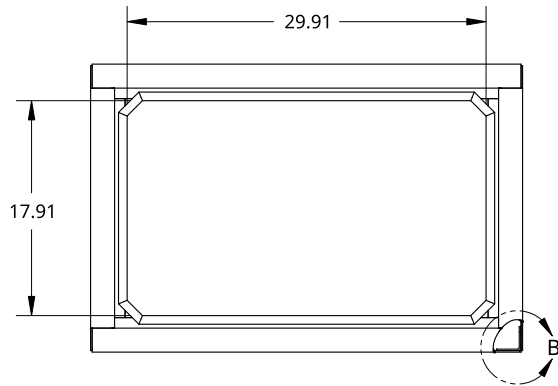


2

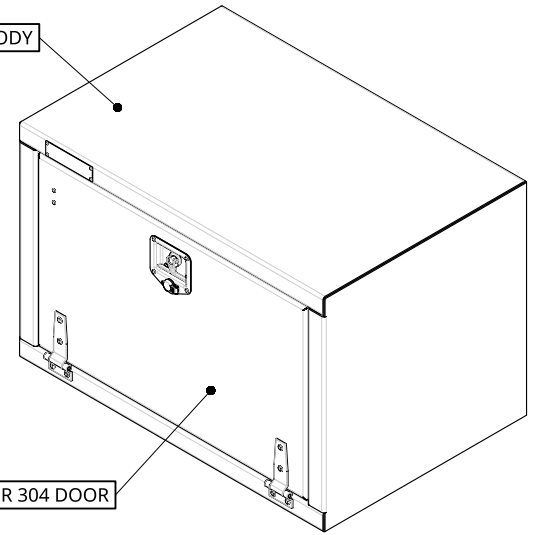
1



DETAIL B
SCALE 1:6

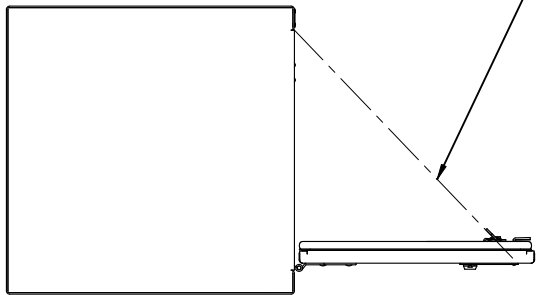
INNER REINFORCEMENT
ANGLE BOTH SIDES

2 1/8 ALU MILL BODY

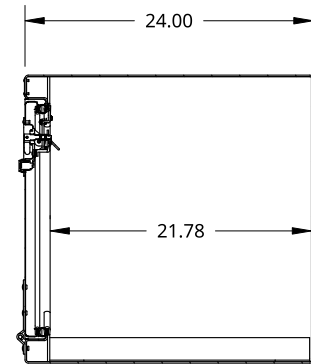
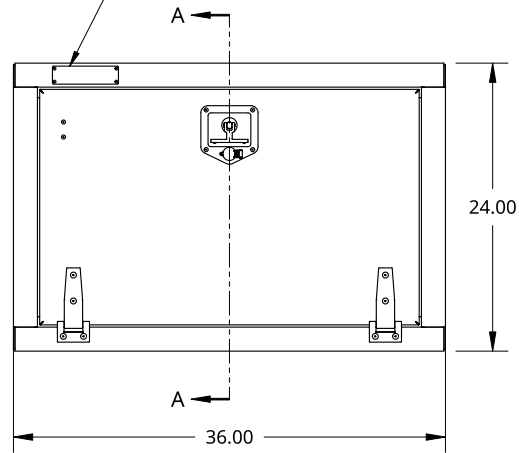


1 18G SS MIRROR 304 DOOR

X1 DOOR CHAIN TO HOLD
DOOR AT 90 DEG.



SMALL SIZE TREBOR NAME PLATE



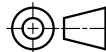
SECTION A - A

THIS DOCUMENT IS THE PROPERTY OF TREBOR
MANUFACTURING. ANY UNAUTHORIZED REPRODUCTION
WILL BE PROSECUTED TO THE FULL EXTENT OF THE LAW

UNLESS OTHERWISE SPECIFIED,
DIMENSIONS ARE IN INCHES

.XX = ±.1-
.XXX = ±.015- ANGULAR = ±1°
.XXXX = ±.005- FRACTIONAL = ±1/8

THIRD ANGLE PROJECTION



DRAWN BY	SHAWN CROCKER	08/02/2021
CHANGED BY	RAUL MANRIQUE	12/16/2022

MATERIAL
1/8 ALU MILL BODY, 18G S/S
MIRROR DOOR

PART NO. TRIDPLSS2436 REV. B

ONE DOOR RECESSED DOOR TOOL BOX - 24 X 24 X 36 - 18G SS MIRROR
DOOR - X1 T-HANDLE - OPEN DOWN

SIZE A DWG NO. D9606 REV. B

SCALE 1:16	WEIGHT 66.12 LB	SHEET 1 of 1
------------	-----------------	--------------

2

1

B

A

B

A