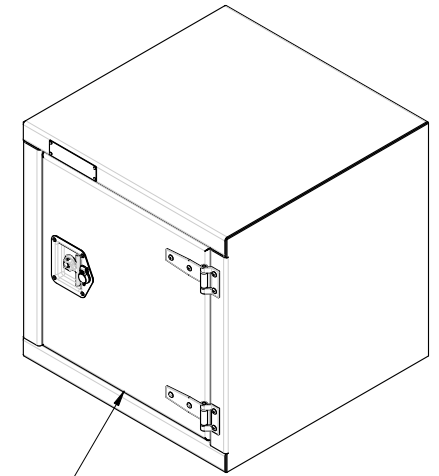
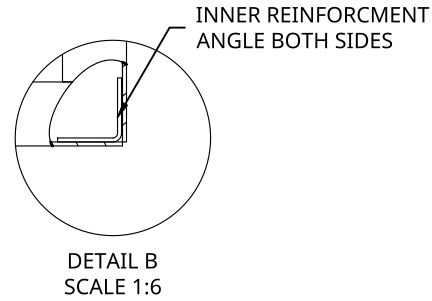
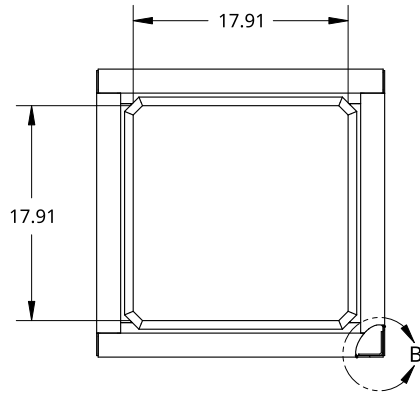


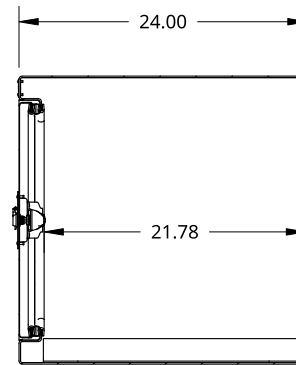
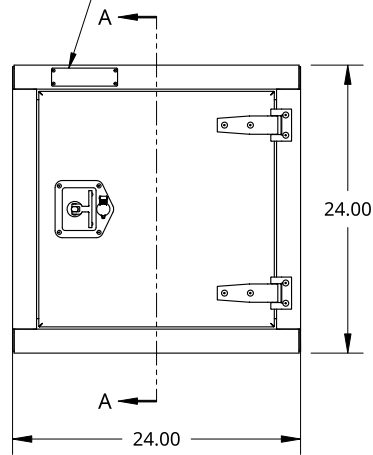
2

1



18G SS MIRROR 304 DOOR

SMALL SIZE TREBOR NAME PLATE



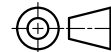
SECTION A - A

THIS DOCUMENT IS THE PROPERTY OF TREBOR MANUFACTURING. ANY UNAUTHORIZED REPRODUCTION WILL BE PROSECUTED TO THE FULL EXTENT OF THE LAW

UNLESS OTHERWISE SPECIFIED, DIMENSIONS ARE IN INCHES

.XX = ±.1- ANGULAR = ±1°
.XXX = ±.015- FRACTIONAL = ±1/8
.XXXX = ±.005-

THIRD ANGLE PROJECTION



DRAWN SHAWN CROCKER 10/18/2021

MATERIAL 1/8 ALU MILL

PART NO. TRIDPLSS2424R REV. A

ONE DOOR RECESSED DOOR TOOL BOX - 24 X 24 X 24 - 18G SS MIRROR DOOR - X1 T-HANDLE - OPEN RIGHT

SIZE A DWG NO. D12502 REV. A

SCALE 1:16 WEIGHT 51.99 LB SHEET 1 of 1

2

1

B

B

A

A