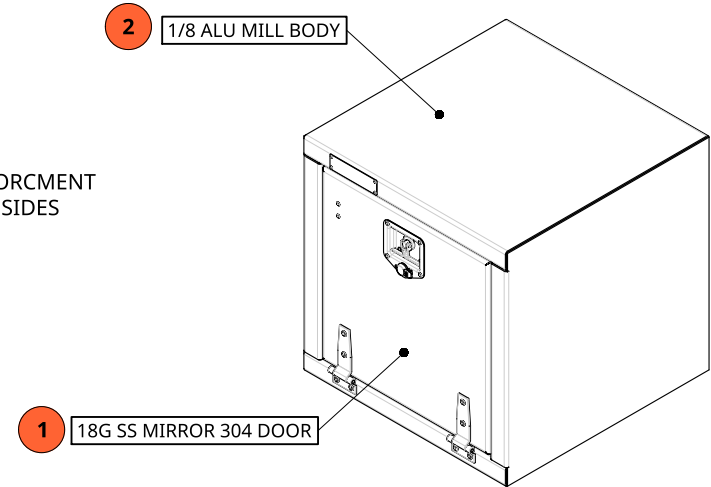
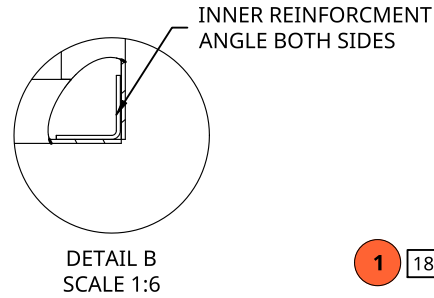
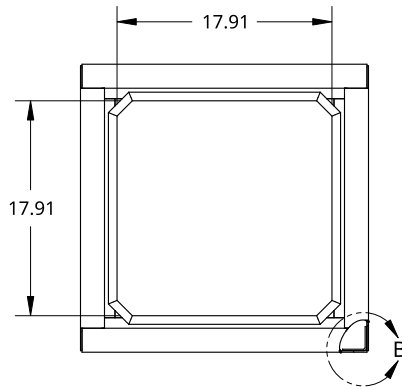
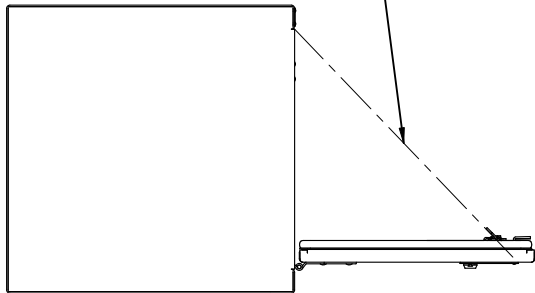


2

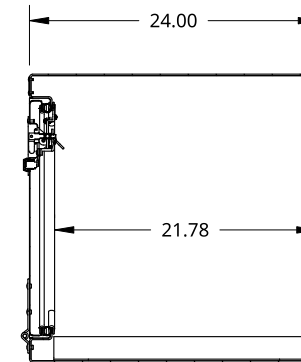
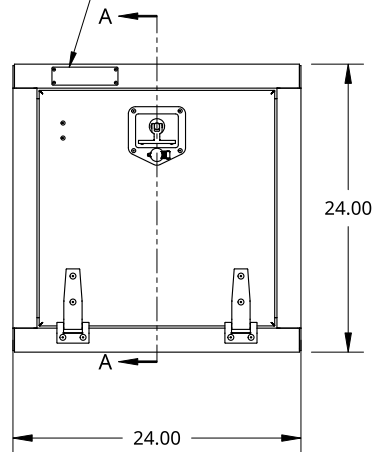
1



X1 DOOR CHAIN TO HOLD  
DOOR AT 90 DEG.



SMALL SIZE TREBOR NAME PLATE



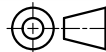
SECTION A - A

THIS DOCUMENT IS THE PROPERTY OF TREBOR  
MANUFACTURING. ANY UNAUTHORIZED REPRODUCTION  
WILL BE PROSECUTED TO THE FULL EXTENT OF THE LAW

UNLESS OTHERWISE SPECIFIED,  
DIMENSIONS ARE IN INCHES

.XX = ±.1-  
.XXX = ±.015- ANGULAR = ±1°  
.XXXX = ±.005- FRACTIONAL = ±1/8

THIRD ANGLE PROJECTION



DRAWN BY	SHAWN CROCKER	08/02/2021
CHANGED BY	RAUL MANRIQUE	12/16/2022

MATERIAL  
1/8 ALU MILL BODY, 18G S/S  
MIRROR DOOR

PART NO. TRIDPLSS2424 REV. B

ONE DOOR RECESSED DOOR TOOL BOX - 24 X 24 X 24 - 18G SS MIRROR  
DOOR - X1 T-HANDLE - OPEN DOWN

SIZE A DWG NO. D9605 REV. B

SCALE 1:16 WEIGHT 49.13 LB SHEET 1 of 1

2

1

B

B

A

A