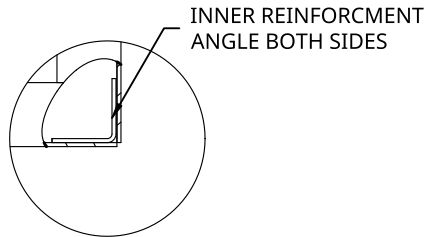


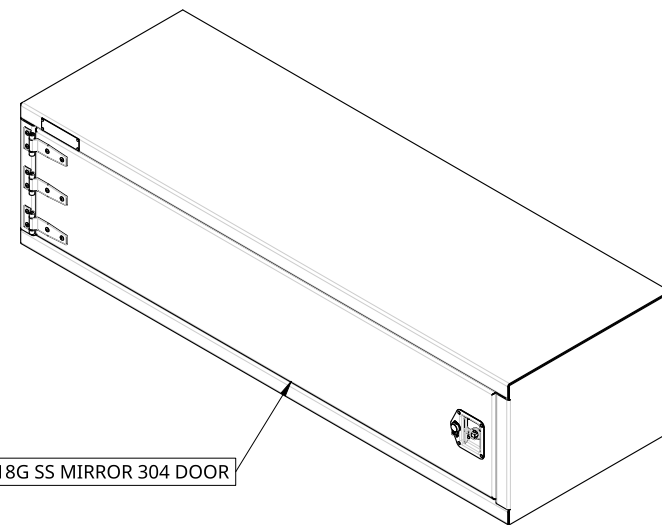
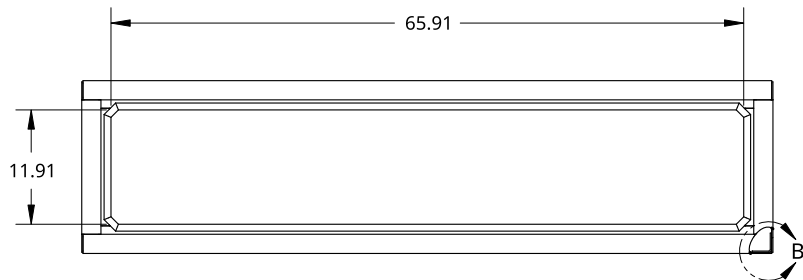
2

1



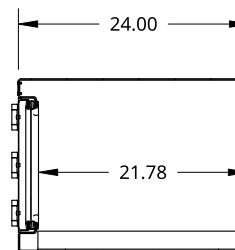
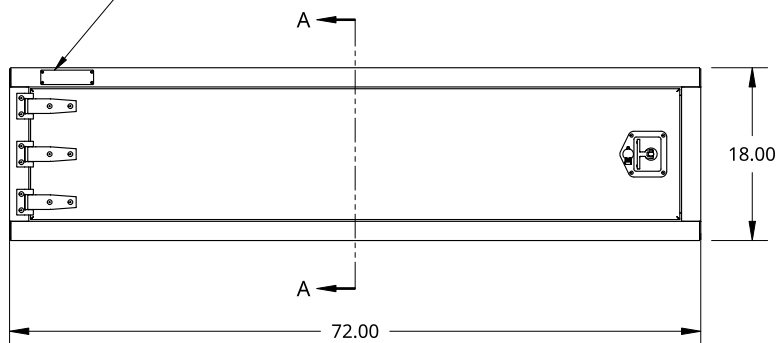
INNER REINFORCEMENT
ANGLE BOTH SIDES

DETAIL B
SCALE 1:6



18G SS MIRROR 304 DOOR

SMALL SIZE TREBOR NAME PLATE



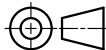
SECTION A - A

THIS DOCUMENT IS THE PROPERTY OF TREBOR
MANUFACTURING. ANY UNAUTHORIZED REPRODUCTION
WILL BE PROSECUTED TO THE FULL EXTENT OF THE LAW

UNLESS OTHERWISE SPECIFIED,
DIMENSIONS ARE IN INCHES

.XX = ±.1-
.XXX = ±.015-
.XXXX = ±.005-
ANGULAR = ±1°
FRACTIONAL = ±1/8

THIRD ANGLE PROJECTION



DRAWN SHAWN CROCKER 10/18/2021

MATERIAL

1/8 ALU MILL

PART NO. TRIDPLSS1872L REV. A

ONE DOOR RECESSED DOOR TOOL BOX - 24 X 18 X 72 - 18G SS MIRROR
DOOR - X1 T-HANDLE - X3 HINGES - OPEN LEFT

SIZE A DWG NO. D12498 REV. A

SCALE 1:20 WEIGHT 102.36 LB SHEET 1 of 1

2

1

B

B

A

A